



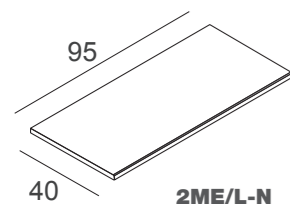




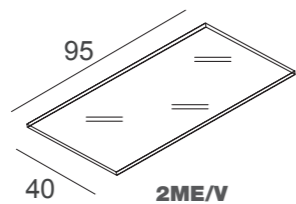




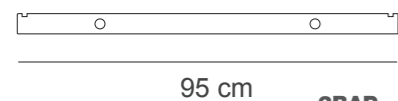
**ACCESSORI**  
ACCESSORIES



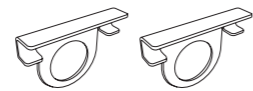
**2ME/L-N**  
Mensola in nobilitato lucido - opaco  
Shelf in glossy - matt chipboard  
L95 x P40 cm



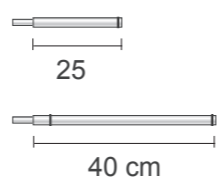
**2ME/V**  
Mensola in vetro temperato  
Tempered glass shelf  
L95 x P40 cm



**2BAP**  
Barra appenderia in metallo  
Metal straight hanging bar  
L95 x H3,5 cm



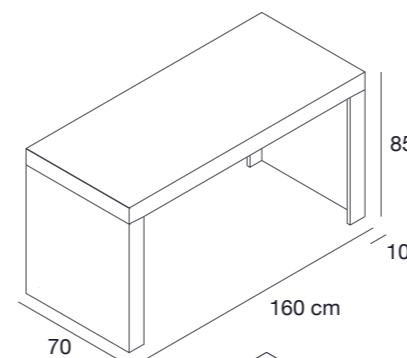
**2BAP**  
Coppia ganci antiribaltamento  
per mensola vetro in alluminio  
Pair of aluminium locking  
hooks for glass shelves  
L95 x H3,5 cm



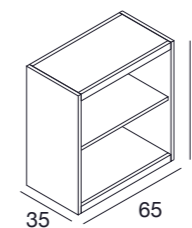
**2PP**  
N.1 perno app. frontale in alluminio  
N.1 frontal hanging pin in aluminium  
L25 cm Ø 2 cm

**2PG**  
Coppia perni in alluminio per  
mensole o barra appenderia  
Pair of supporting pins in  
aluminium for shelf or crossbar  
L40 cm Ø 2 cm

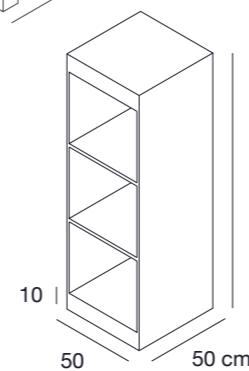
**MODULI - TAVOLI**  
MODULES - TABLES



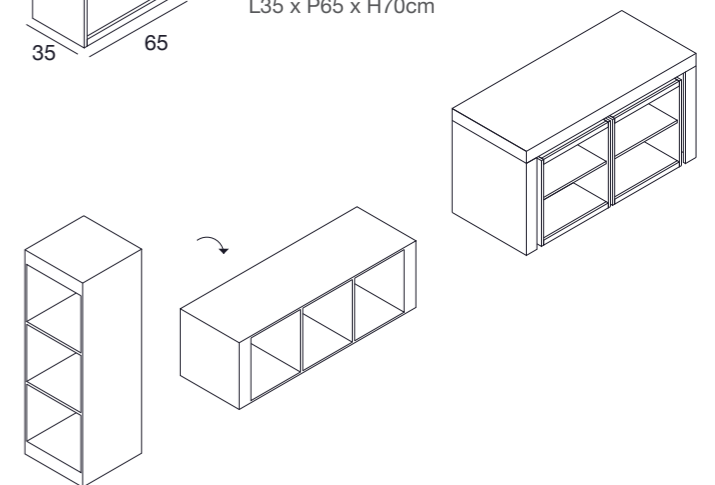
**2T01/L-N**  
Tavolo in nobilitato  
lucido-opaco  
Table glossy-matt  
chipboard  
L160 x P70 x H85 cm



**2T02/L-N**  
Modulo 2 vani con ruote  
in nobilitato lucido-opaco  
2 compartments unit with wheels  
in glossy-matt chipboard  
L35 x P65 x H70cm



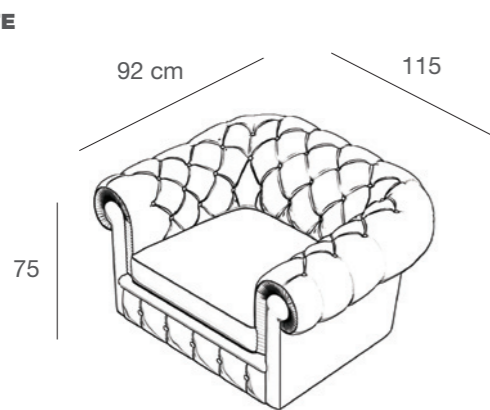
**2M01/L-N**  
Modulo 3 vani  
in nobilitato lucido-opaco  
3 compartments unit  
in glossy-matt chipboard  
L50 x P50 x H150 cm





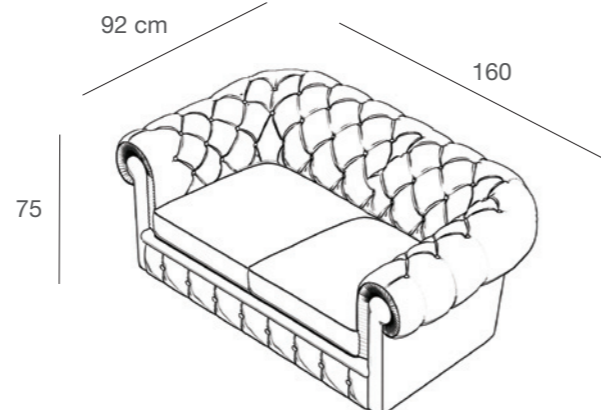


**SEDUTE  
SEATS**



**2CHES/S**

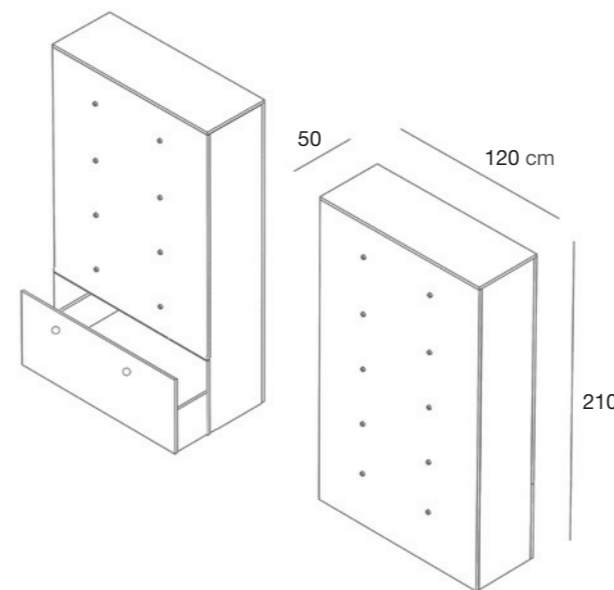
Poltrona singola imbottita e rivestita in ecopelle testa di moro vintage  
Single armchair padded and covered with synthetic leather brown vintage  
L.115 x P. 92 x H.75 cm



**2CHES/L**

Divano a due posti imbottito e rivestito in ecopelle testa di moro vintage  
Double armchair padded and covered with synthetic leather brown vintage  
L.160 x P. 92 x H.75 cm

**ELEMENTI SELF STANDING  
SELF STANDING ELEMENTS**



**2PAR/N**

Modulo self standing attrezzabile con cassetto in nobilitato opaco  
Self standing element with drawer in matt chipboard  
L.120 x P.50 x H.210 cm

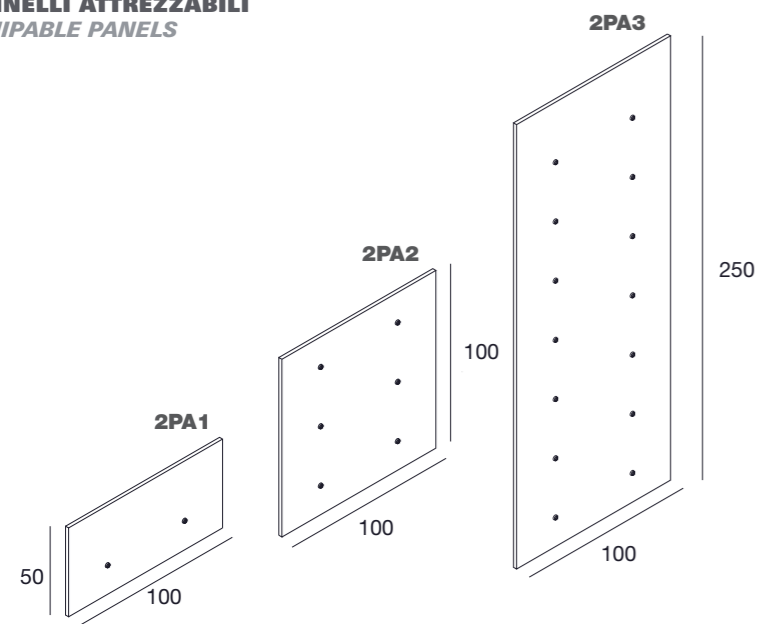
**2PAR/L**

Modulo self standing attrezzabile con cassetto in nobilitato lucido  
Self standing element with drawer in glossy chipboard  
L.120 x P.50 x H.210 cm





**PANNELLI ATTREZZABILI**  
*EQUIPABLE PANELS*



**2PA1/N**  
Pannello boccolato  
in nobilitato opaco  
*Ferruled panel  
in matt chipboard*  
L.100 x H.50 cm

**2PA1/L**  
Pannello boccolato  
in nobilitato lucido  
*Ferruled panel  
in glossy chipboard*  
L.100 x H.50 cm

**2PA2/N**  
Pannello boccolato  
in nobilitato opaco  
*Ferruled panel  
in matt chipboard*  
L.100 x H.100 cm

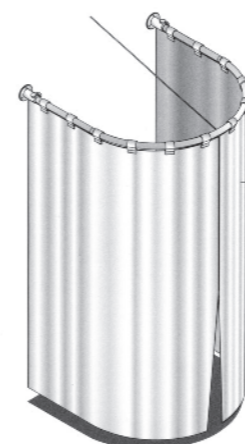
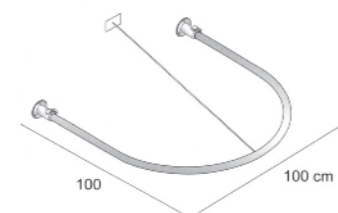
**2PA2/L**  
Pannello boccolato  
in nobilitato lucido  
*Ferruled panel  
in glossy chipboard*  
L.100 x H.100 cm

**2PA3/N**  
Pannello boccolato  
in nobilitato opaco  
*Ferruled panel  
in matt chipboard*  
L.100 x H.250 cm

**2PA3/L**  
Pannello boccolato  
in nobilitato lucido  
*Ferruled panel  
in glossy chipboard*  
L.100 x H.250 cm

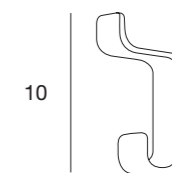
**CAMERINI**  
*CHANGING ROOMS*

**2CAM**  
Struttura curva in metallo  
per camerino  
*Curved metal structure  
for changing room*  
L.100 x P.100 cm



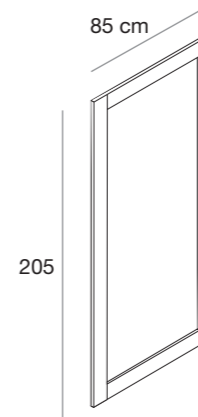
**2TEV**  
Tenda  
*Curtain*  
L.140 x H.200 cm

**2GA**  
Gancio appenderia in  
metallo  
*Metal clothes hanger*  
L.10 cm



**2MRR/N**  
Specchio con cornice  
in nobilitato opaco  
*Mirror with matt  
chipboard frame*  
L.85 x H.205 cm

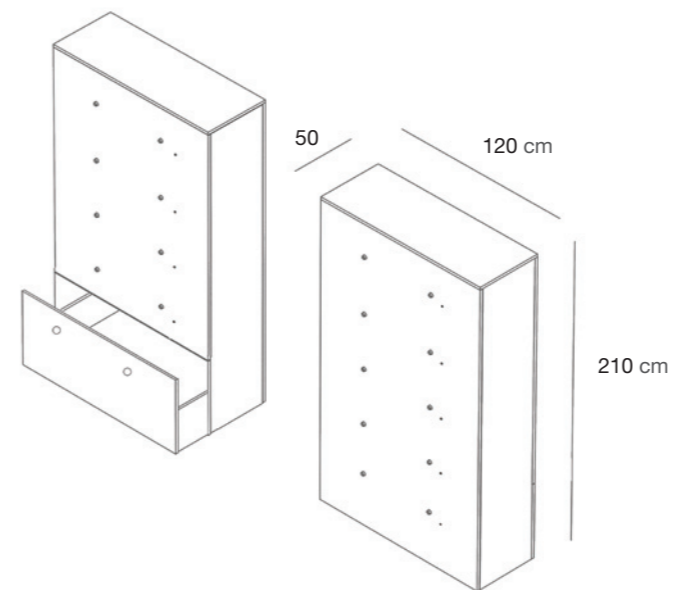
**2MRR/L**  
Specchio con cornice  
in nobilitato lucido  
*Mirror with glossy  
chipboard frame*  
L.85 x H.205 cm







# 2 LED LINEADUE



## ELEMENTI SELF STANDING SELF STANDING ELEMENTS

### 2PAR/NE

Modulo self standing attrezzabile con cassetto in nobilitato opaco elettrificato (con N.2 alimentatori a 5 vie)  
Self standing element with drawer in matt chipboard electrified (with N.2 power suppliers)  
L.120 x P.50 x H.210 cm

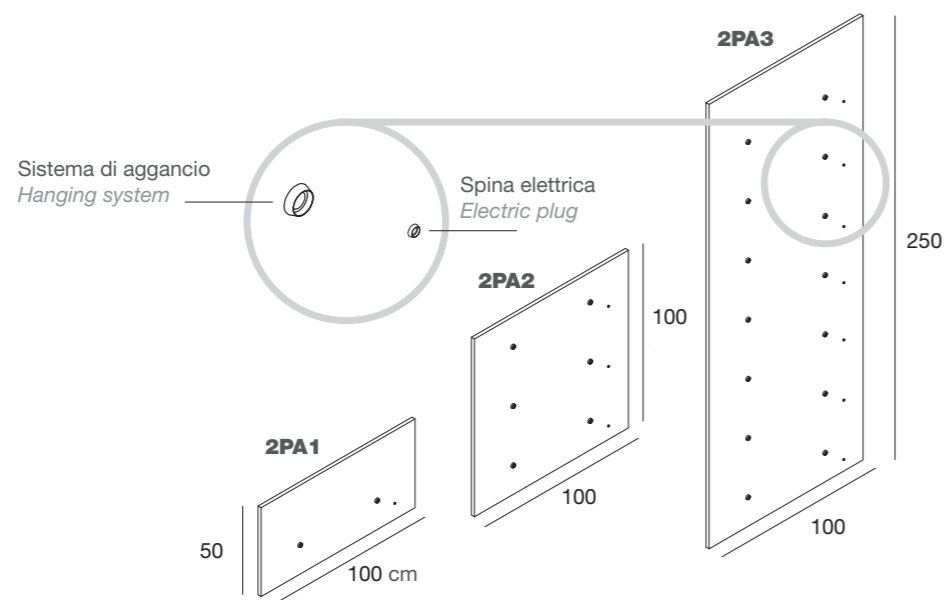
### 2PAR/LE

Modulo self standing attrezzabile con cassetto in nobilitato lucido elettrificato (con N.2 alimentatori a 5 vie)  
Self standing element with drawer in glossy chipboard electrified (with N.2 power suppliers)  
L.120 x P.50 x H.210 cm





**PANNELLI ATTREZZABILI LED**  
LED EQUIPABLE PANELS



**2PA1/LLED-NLED**

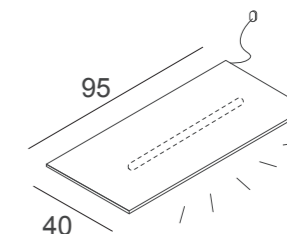
Pannello boccolato in nobilitato lucido - opaco, con predisposizione per inserimento mensole LED. Completo con alimentatore.  
*Ferruled panel in glossy - matt chipboard with electrification setting for LED shelves. Complete with power supply*  
L.100x H.50 cm

**2PA2/LLED-NLED**

Pannello boccolato in nobilitato lucido - opaco, con predisposizione per inserimento mensole LED. Completo con alimentatore.  
*Ferruled panel in glossy - matt chipboard with electrification setting for LED shelves. Complete with power supply*  
L.100x H.100 cm

**2PA3/LLED-NLED**

Pannello boccolato in nobilitato lucido - opaco, con predisposizione per inserimento mensole LED. Completo con alimentatore.  
*Ferruled panel in glossy - matt chipboard with electrification setting for LED shelves. Complete with power supply*  
L.100x H.250 cm



**2ME/NLED**

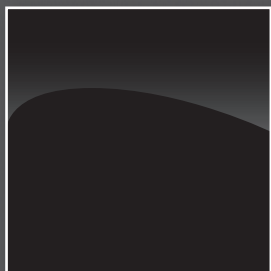
Mensola in nobilitato opaco, con LED a scomparsa e spinotto di connessione  
*Shelf in matt chipboard, with strip LED ad plug.*  
L.95 x P.40 cm

**2ME/LLED**

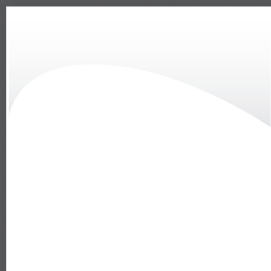
Mensola in nobilitato lucido, con LED a scomparsa e spinotto di connessione  
*Shelf in glossy chipboard, with strip LED ad plug.*  
L.95 x P.40 cm



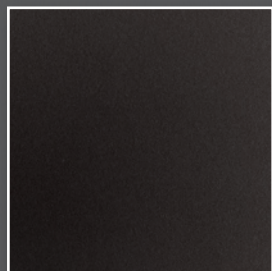
**NOBILITATI**  
*CHIPBOARD*



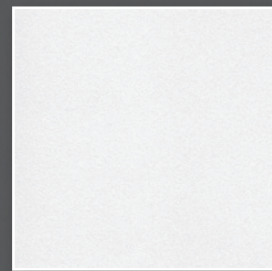
**NERO VERNICIATO LUCIDO**  
*GLOSSY BLACK*



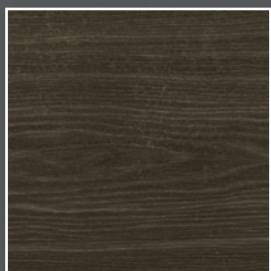
**BIANCO VERNICIATO LUCIDO**  
*GLOSSY WHITE*



**NERO OPACO**  
*MATT BLACK*



**BIANCO OPACO**  
*MATT WHITE*



**GRIGIO LAVA**  
*LAVA GREY*



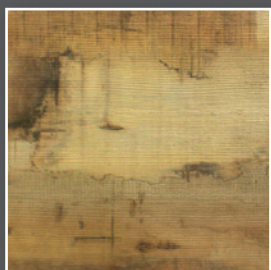
**OLMO FIAMMATO**  
*FLAMED OAK*



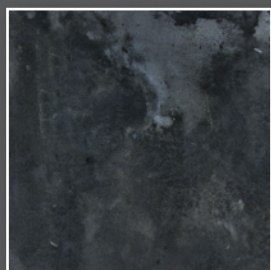
**ROVERE TAVOLATO**  
*PLANKED OAK*



**VINTAGE**  
*VINTAGE*



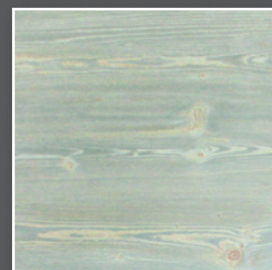
**LEGNO MARCIO**  
*ROTTEN WOOD*



**LAMIERA OSSIDATA**  
*OXIDIZED SHEET*



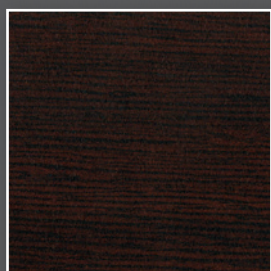
**CEMENTO**  
*CONCRETE*



**ABETE GESSATO**  
*CHALKY FIR*



**ABETE VISSUTO**  
*VINTAGE FIR*



**WENGE'**  
*WENGE'*



**ROVERE AMERICANO**  
*AMERICAN OAK*



**FRASSINO BIANCO**  
*WHITE ASH*