



**MONTANTI
UPRIGHTS**

3M1/N
in nobilitato opaco
in matt chipboard
L12 x P10 x H250 cm

3M1/L
in nobilitato lucido
in glossy chipboard
L12 x P10 x H250 cm

3M1/EP
in nobilitato rivestito ecopelle opaca
in chipboard covered with synthetic
matt leather
L12 x P10 x H250 cm

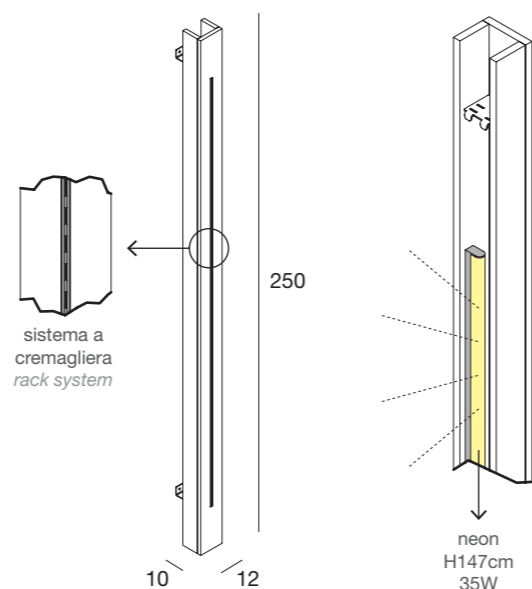
3M1/EPL
in nobilitato rivestito ecopelle lucida
in chipboard covered with synthetic
glossy leather
L12 x P10 x H250 cm

3M2/N
retroilluminato in nobilitato opaco
back-lighted in matt chipboard
L12 x P10 x H250 cm

3M2/L
retroilluminato in nobilitato lucido
back-lighted in glossy chipboard
L12 x P10 x H250 cm

3M2/EP
retroilluminato in nobilitato rivestito
ecopelle opaca
back-lighted in chipboard covered with
synthetic matt leather
L12 x P10 x H250 cm

3M2/EPL
retroilluminato in nobilitato rivestito
ecopelle opaca
back-lighted in chipboard covered with
synthetic glossy leather
L12 x P10 x H250 cm

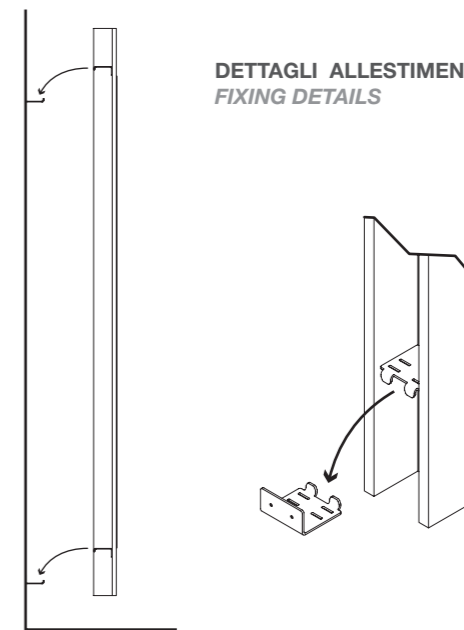


**MONTANTI LAMINATO "VERA PIETRA"
LAMINATED UPRIGHTS "TRUE STONE"**

3M1/ST
laminato VeraPietra
Real Stone veneer
L12 x P10 x H250 cm

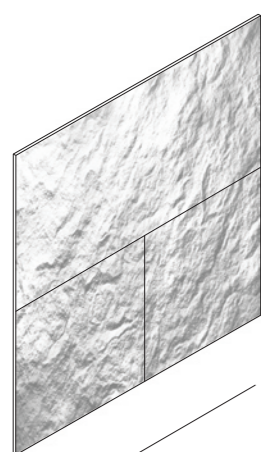
3M2/ST
laminato VeraPietra retroilluminato
Real Stone veneer backlighted
L12 x P10 x H250 cm

**DETTAGLI ALLESTIMENTO
FIXING DETAILS**





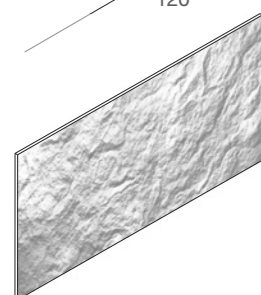
MODULI PARETE "VERA PIETRA"
WALL ELEMENTS "REAL STONE"



120 cm

240 cm

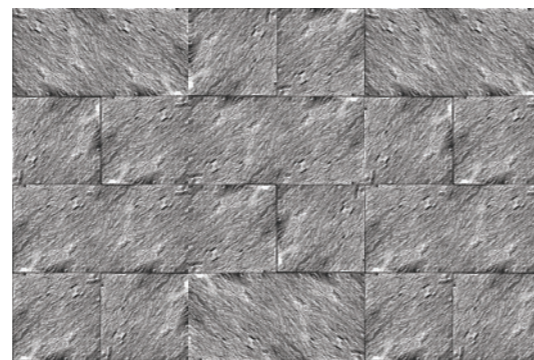
3PAN120
 Pannello in laminato "Vera Pietra"
 Wall panel "Real Stone Veneer"
 L. 120 x H. 120 cm



120

60 cm

3PAN60
 Pannello in laminato "Vera Pietra"
 Wall panel "Real Stone Veneer"
 L. 120 x H. 60 cm



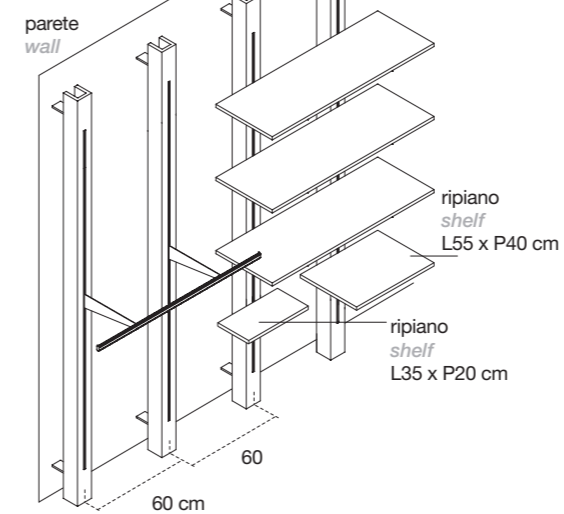
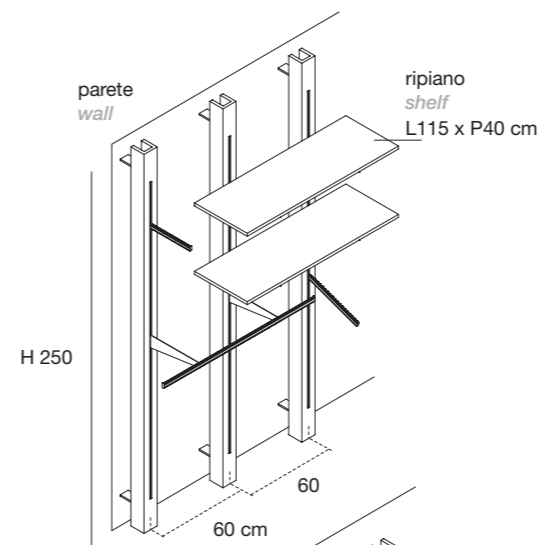
120 cm

ESEMPIO TEXTURE A PARETE COMPLETA
COMPLETE WALL TEXTURE EXAMPLE

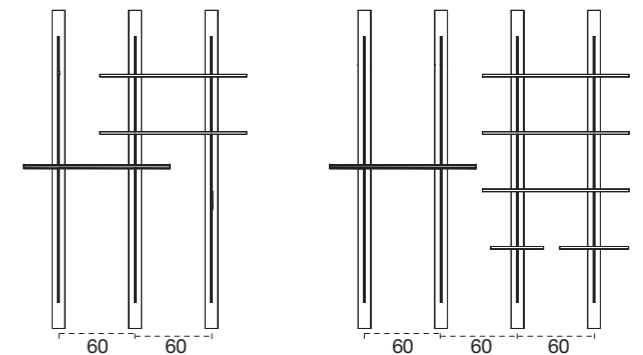
La naturalezza e originalità delle finiture implica un certo grado di irregolarità nelle composizioni, caratteristica del materiale stesso.

The finishing's naturality and originality implies a certain degree of irregularities in the compositions, characteristic of the material itself.

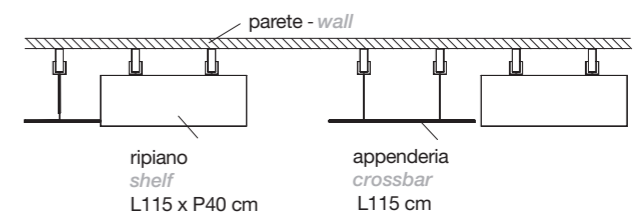
MONTANTI - COMPOSIZIONI
UPRIGHTS - COMPOSITIONS



VISTA FRONTALE - FRONTAL VIEW

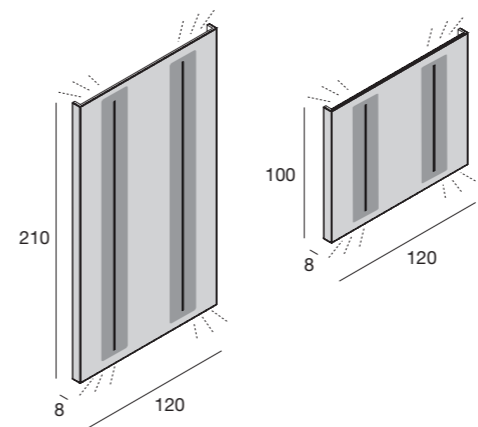


VISTA IN PIANTA - PLANT VIEW





PANNELLI CON CREMAGLIERA
PANELS WITH RACK



3P1R/NEPIT
retroilluminato in nobilitato opaco
con inserto ecopelle opaca
*back-lighted in matt chipboard
with inserts covered with
synthetic matt leather*
L120 x P8 x H210 cm

3P2R/NEPIT
retroilluminato in nobilitato opaco
con inserto ecopelle opaca
*back-lighted in matt chipboard with
inserts covered with synthetic matt
leather*
L120 x P8 x H100 cm

3P1R/LEPIT
retroilluminato in nobilitato lucido
con inserto ecopelle opaca
*back-lighted in glossy chipboard
with inserts covered with synthetic
matt leather*
L120 x P8 x H210 cm

3P2R/LEPIT
retroilluminato in nobilitato lucido
con inserto ecopelle opaca
*back-lighted in glossy chipboard
with inserts covered with synthetic
matt leather*
L120 x P8 x H100 cm

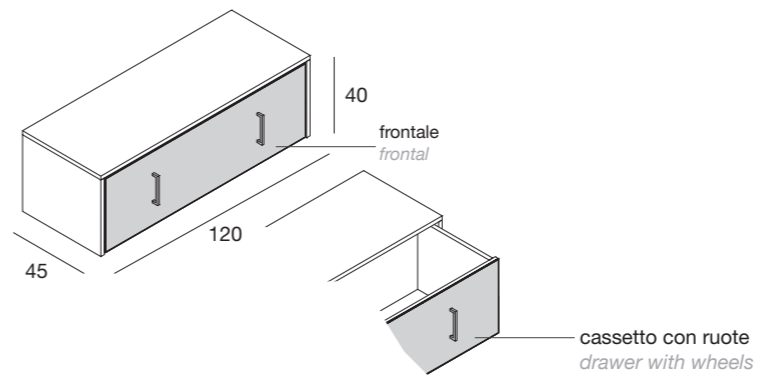
3P1R/NEPLIT
retroilluminato in nobilitato opaco
con inserto ecopelle lucida
*back-lighted in matt chipboard
with inserts covered with
synthetic glossy leather*
L120 x P8 x H210 cm

3P2R/NEPLIT
retroilluminato in nobilitato opaco
con inserto ecopelle lucida
*back-lighted in matt chipboard
with inserts covered with synthetic
glossy leather*
L120 x P8 x H100 cm

3P1R/LEPLIT
retroilluminato in nobilitato lucido
con inserto ecopelle lucido
*back-lighted in glossy chipboard
with inserts covered with synthetic
glossy leather*
L120 x P8 x H210 cm

3P2R/LEPLIT
retroilluminato in nobilitato lucido
con inserto ecopelle lucido
*back-lighted in glossy chipboard
with inserts covered with synthetic
glossy leather*
L120 x P8 x H100 cm

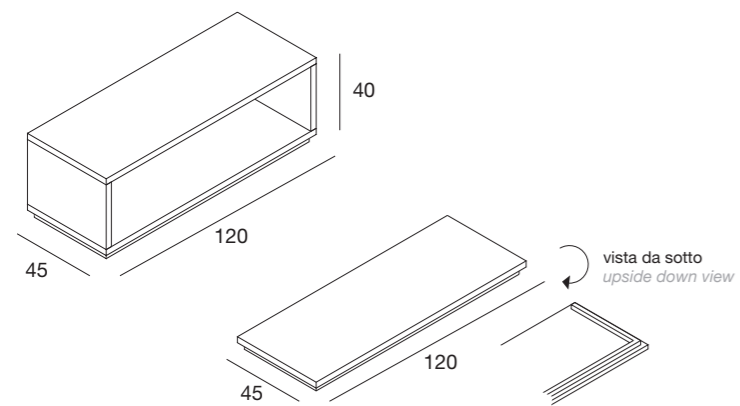
CASSETTIERA
CHEST OF DRAWER



3CA/NN
cassettiera, struttura e frontale
in nobilitato opaco
*chest of drawers structure and
front in matt chipboard*
L120 x P45 x H40 cm

3CA/LL
cassettiera, struttura e frontale
in nobilitato lucido
*chest of drawers, structure and
front in glossy chipboard*
L120 x P45 x H40 cm

ANELLI E PEDANE
DISPLAY RINGS AND PLATFORMS



3A/N
anello, struttura in nobilitato
opaco rialzata con zoccolo
*display ring, structure in matt
chipboard raised with baseboard*
L120 x P45 x H40 cm

3PE/N
pedana in nobilitato opaco
rialzata con zoccolo
*platform in matt chipboard
raised with baseboard*
L120 x P45 cm

3A/L
anello, struttura in nobilitato
lucido rialzata con zoccolo
*display ring, structure in glossy
chipboard raised with baseboard*
L120 x P45 x H40 cm

3PE/L
pedana in nobilitato lucido
rialzata con zoccolo
*platform in glossy chipboard
raised with baseboard*
L120 x P45 cm

3CA/NEP
cassettiera, struttura in nobilitato opaco
frontale in ecopelle opaca
*chest of drawers, structure in matt
chipboard front in synthetic matt leather*
L120 x P45 x H40 cm

3CA/LEP
cassettiera, struttura in nobilitato lucido
frontale in ecopelle opaca
*chest of drawers, structure in glossy
chipboard front in synthetic matt leather*
L120 x P45 x H40 cm

3CA/NST
cassettiera, struttura in nobilitato opaco
frontale in laminato VeraPietra
*chest of drawers, structure in matt
chipboard front in RealStone veneer*
L120 x P45 x H40 cm

3CA/LN
cassettiera, struttura in
nobilitato lucido e frontale in
nobilitato opaco
*chest of drawers, structure in
glossy chipboard and front in
matt chipboard*
L120 x P45 x H40 cm

3CA/NEPL
cassettiera, struttura in nobilitato opaco
frontale in ecopelle lucida
*chest of drawers, structure in matt
chipboard front in synthetic glossy
leather*
L120 x P45 x H40 cm

3CA/LEPL
cassettiera, struttura in nobilitato lucido
frontale in ecopelle lucida
*chest of drawers, structure in glossy
chipboard front in synthetic glossy
leather*
L120 x P45 x H40 cm

3CA/LST
cassettiera, struttura in nobilitato lucido
frontale in laminato VeraPietra
*chest of drawers, structure in glossy
chipboard front in RealStone veneer*
L120 x P45 x H40 cm



PANNELLI CON CREMAGLIERA
PANELS WITH RACK

3P1/N
in nobilitato opaco
in matt chipboard
L120 x H250 cm

3P1/L
in nobilitato lucido
in glossy chipboard
L120 x H250 cm

3P1/EP
rivestito in ecopelle opaca
covered with synthetic matt leather
L120 x H250 cm

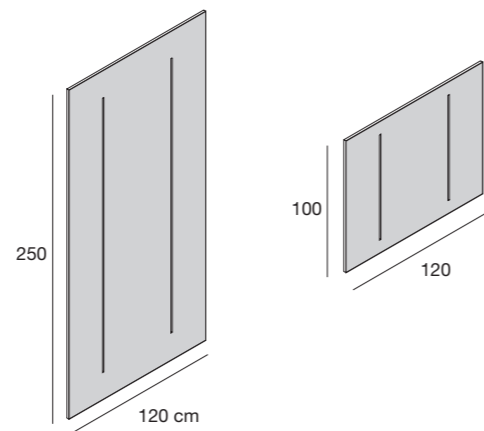
3P1/EPL
rivestito in ecopelle lucida
covered with synthetic glossy leather
L120 x H250 cm

3P2/N
in nobilitato opaco
in matt chipboard
L120 x H100 cm

3P2/L
in nobilitato lucido
in glossy chipboard
L120 x H100 cm

3P2/EP
rivestito in ecopelle opaca
covered with synthetic matt leather
L120 x H100 cm

3P2/EPL
rivestito in ecopelle lucida
covered with synthetic glossy leather
L120 x H100 cm



PANNELLI CON CREMAGLIERA RETROILLUMINATI
BACKLIGHTED PANELS WITH RACK

3P1R/N
retroilluminato
in nobilitato opaco
back lighted
in matt chipboard
L120 x P8 x H210 cm

3P1R/L
retroilluminato
in nobilitato lucido
back lighted
in glossy chipboard
L120 x P8 x H210 cm

3P1R/EP
retroilluminato
rivestito in ecopelle opaca
back lighted
covered with synthetic matt leather
L120 x P8 x H210 cm

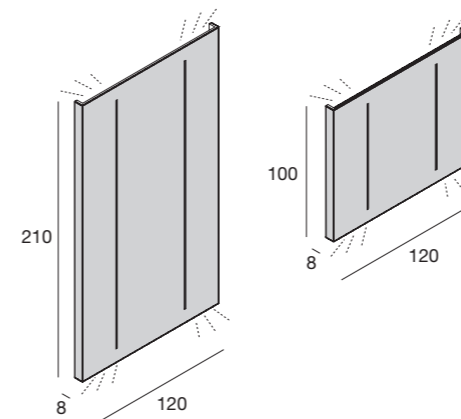
3P1R/EPL
retroilluminato
rivestito in ecopelle lucida
back lighted
covered with synthetic glossy leather
L120 x P8 x H210 cm

3P2R/N
retroilluminato
in nobilitato opaco
back lighted
in matt chipboard
L120 x P8 x H100 cm

3P2R/L
retroilluminato
in nobilitato lucido
back lighted
in glossy chipboard
L120 x P8 x H100 cm

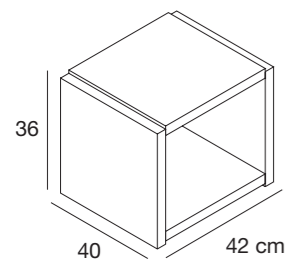
3P2R/EP
retroilluminato
rivestito in ecopelle opaca
back lighted
covered with synthetic matt leather
L120 x P8 x H100 cm

3P2R/EPL
retroilluminato
rivestito in ecopelle lucida
back lighted
covered with synthetic glossy leather
L120 x P8 x H100 cm



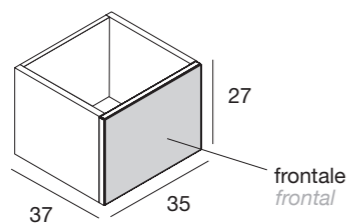


MODULI SOVRAPPONIBILI
STACKABLE MODULES



3C18/N
cubo in nobilitato opaco
spessore 18 mm
cube in matt chipboard
18 mm thickness
L42 x P40 x H36 cm

3C18/L
cubo in nobilitato lucido
spessore 18 mm
cube in glossy chipboard
18 mm thickness
L42 x P40 x H36 cm



3C36/N
cubo in nobilitato opaco
spessore 36 mm
cube in matt chipboard
36 mm thickness
L42 x P40 x H36 cm

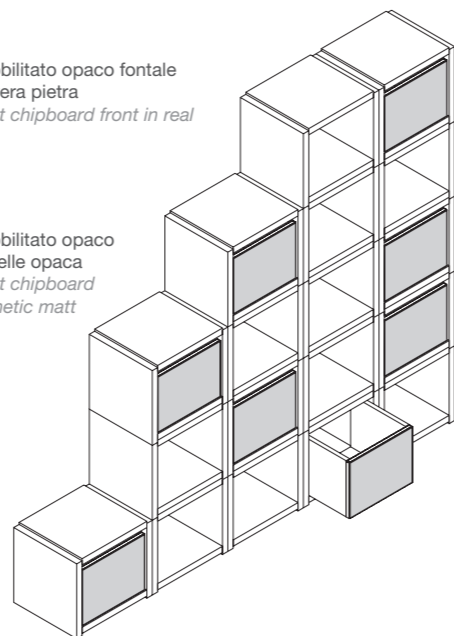
3C30/L
cubo in nobilitato lucido
spessore 30 mm
cube in glossy chipboard
30 mm thickness
L42 x P40 x H36 cm

3CAS/L-N
cassetto, struttura e frontale in nobilitato lucido - opaco
drawer, structure and front in glossy - matt chipboard
L35 x P37 x H27 cm

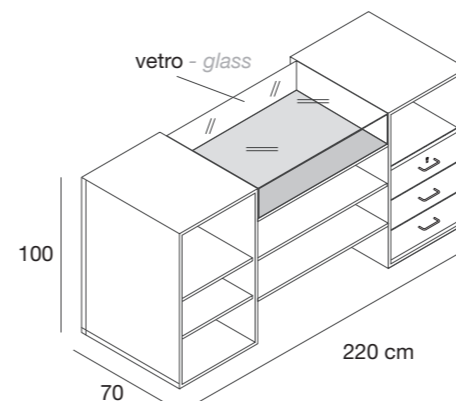
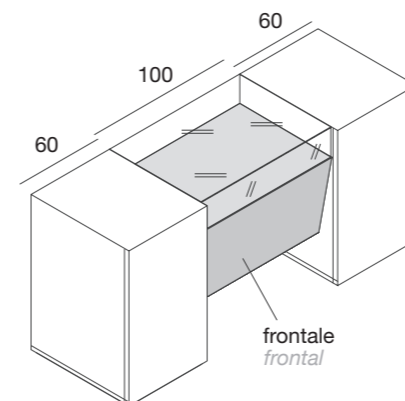
3CAS/ST
cassetto, struttura in nobilitato opaco frontale
rivestito in laminato di vera pietra
drawer, structure in matt chipboard front in real
stone veneer
L35 x P37 x H27 cm

3CAS/EP
cassetto, struttura in nobilitato opaco
frontale rivestito in ecopelle opaca
drawer, structure in matt chipboard
front covered with synthetic matt
leather
L35 x P37 x H27 cm

3CAS/EPL
cassetto, struttura
in nobilitato opaco
frontale rivestito in
ecopelle lucida
drawer, structure in
matt chipboard front
covered with synthetic
glossy leather
L35 x P37 x H27 cm



BANCHI CASSA
CASH COUNTERS



3BC1/NN
banco cassa con elementi laterali e elemento
centrale in nobilitato opaco
teca in vetro, 6 vani e 3 cassetti
cash counter with lateral units and middle unit in
matt chipboard
glass showcase, 6 compartments and 3 drawers
L220 x P70 x H100 cm

3BC1/LL
banco cassa con elementi laterali e elemento
centrale in nobilitato lucido
teca in vetro, 6 vani e 3 cassetti
cash counter with lateral units and middle unit in
glossy chipboard
glass showcase, 6 compartments and 3 drawers
L220 x P70 x H100 cm

3BC1/NL
banco cassa con elementi laterali in nobilitato
opaco e elemento centrale in nobilitato lucido
teca in vetro, 6 vani e 3 cassetti
cash counter with lateral units in matt chipboard
and middle unit in glossy chipboard
glass showcase, 6 compartments and 3 drawers
L220 x P70 x H100 cm

3BC1/LN
banco cassa con elementi laterali in nobilitato
opaco e elemento centrale in nobilitato opaco
teca in vetro, 6 vani e 3 cassetti
cash counter with lateral units in glossy
chipboard and middle unit in matt chipboard
glass showcase, 6 compartments and 3 drawers
L220 x P70 x H100 cm

3BC1/NST
banco cassa con elementi laterali in nobilitato
opaco e elemento centrale in laminato Vera Pietra
teca in vetro, 6 vani e 3 cassetti
cash counter with lateral units in matt chipboard
and middle unit in Real Stone veneer
glass showcase, 6 compartments and 3 drawers
L220 x P70 x H100 cm

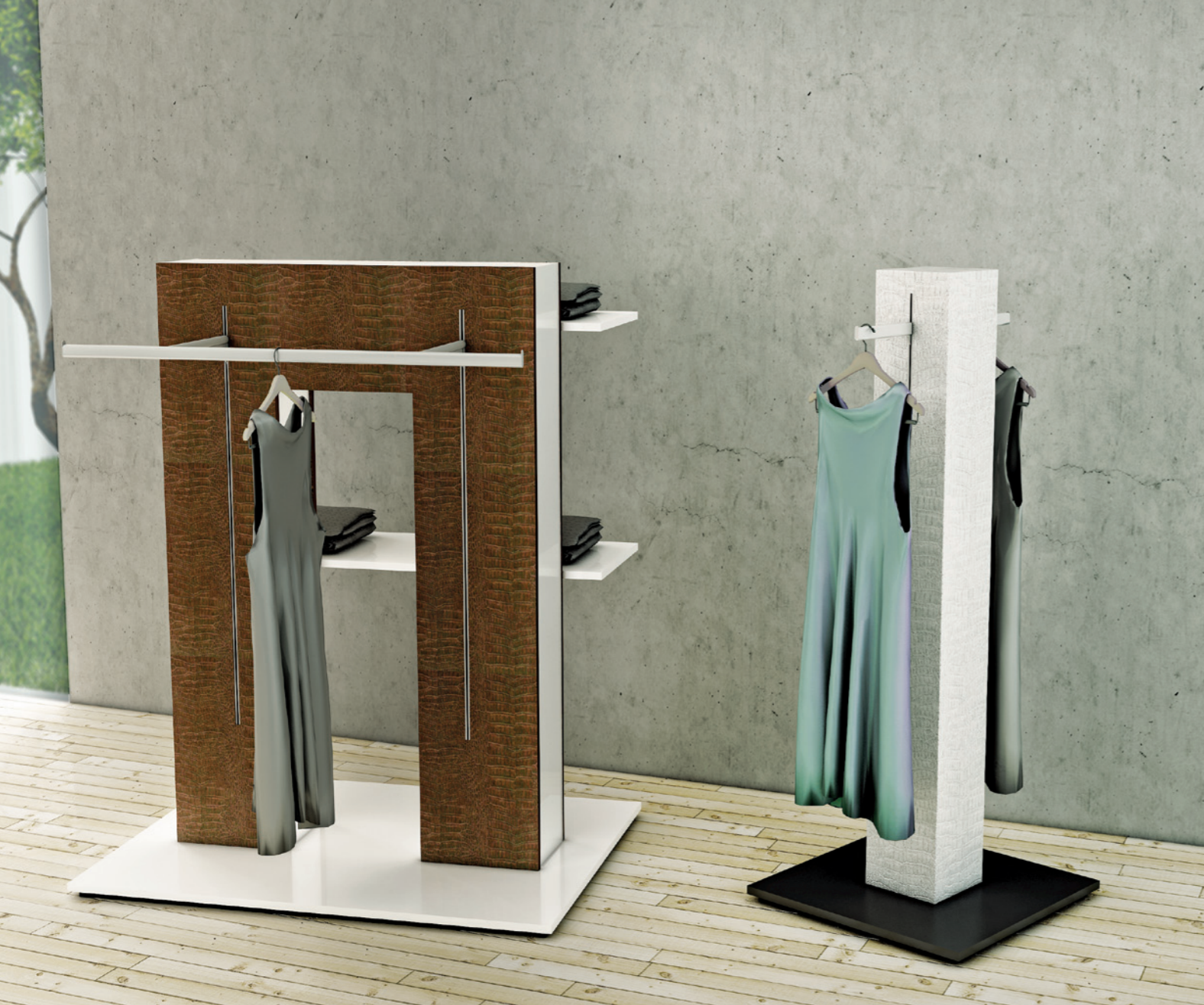
3BC1/NEP
banco cassa con elementi laterali in nobilitato opaco
e elemento centrale rivestito in ecopelle opaca
teca in vetro, 6 vani e 3 cassetti
cash counter with lateral units in matt chipboard and
middle unit covered with synthetic matt leather
glass showcase, 6 compartments and 3 drawers
L220 x P70 x H100 cm

3BC1/NEPL
banco cassa con elementi laterali in nobilitato opaco
e elemento centrale rivestito in ecopelle lucida
teca in vetro, 6 vani e 3 cassetti
cash counter with lateral units in matt chipboard and
middle unit covered with synthetic glossy leather
glass showcase, 6 compartments and 3 drawers
L220 x P70 x H100 cm

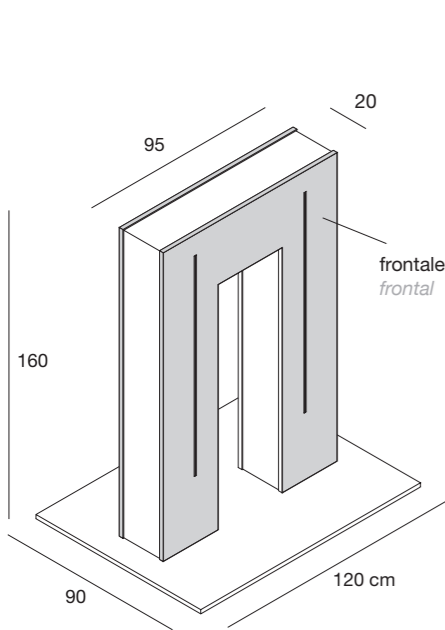
3BC1/LEP
banco cassa con elementi laterali in nobilitato lucido
e elemento centrale rivestito in ecopelle opaca
teca in vetro, 6 vani e 3 cassetti
cash counter with lateral units in glossy chipboard
and middle unit covered with synthetic matt leather
glass showcase, 6 compartments and 3 drawers
L220 x P70 x H100 cm

3BC1/LEPL
banco cassa con elementi laterali in nobilitato lucido
e elemento centrale rivestito in ecopelle lucida
teca in vetro, 6 vani e 3 cassetti
cash counter with lateral units in glossy chipboard
and middle unit covered with synthetic glossy leather
glass showcase, 6 compartments and 3 drawers
L220 x P70 x H100 cm

3BC1/LST
banco cassa con elementi laterali in nobilitato lucido
e elemento centrale in laminato Vera Pietra
teca in vetro, 6 vani e 3 cassetti
cash counter with lateral units in glossy chipboard
and middle unit in Real Stone veneer
glass showcase, 6 compartments and 3 drawers
L220 x P70 x H100 cm



ISOLA AUTOPORTANTE
FREESTANDING RACK MIDDLE UNIT

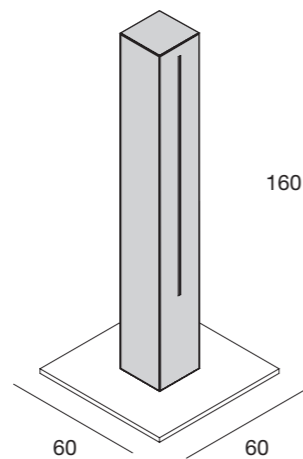


3IS/N
base, struttura e frontali
in nobilitato opaco
base, structure and fronts
in matt chipboard
L120 x P90 x H160 cm

3IS/NL
base e struttura in nobilitato opaco
frontali in nobilitato lucido
base and structure in matt chipboard
fronts in glossy chipboard
L120 x P90 x H160 cm

3IS/EP
base e struttura in nobilitato opaco
frontali rivestiti in ecopelle opaca
base and structure in matt chipboard
fronts covered in synthetic matt leather
L120 x P90 x H160 cm

3IS/EPL
base e struttura in nobilitato opaco
frontali rivestiti in ecopelle lucida
base and structure in matt chipboard
fronts covered in synthetic glossy leather
L120 x P90 x H160 cm



3TO/N
con struttura e base
in nobilitato opaco
with structure and base
in matt chipboard
L60 x P60 x H160

3TO/L
con struttura in nobilitato lucido e
base in nobilitato opaco
with structure in glossy chipboard
and base in matt chipboard
L60 x P60 x H160

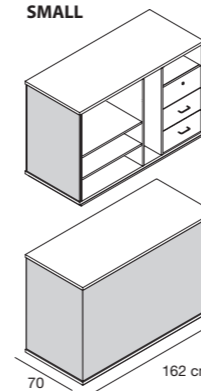
3TO/EP
con struttura rivestita in ecopelle
opaca e base in nobilitato opaco
with structure covered in matt
chipboard and base in matt
chipboard
L60 x P60 x H160

3TO/EPL
con struttura rivestita in ecopelle
lucida e base in nobilitato opaco
with structure covered in matt
chipboard and base in glossy
chipboard
L60 x P60 x H160

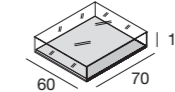
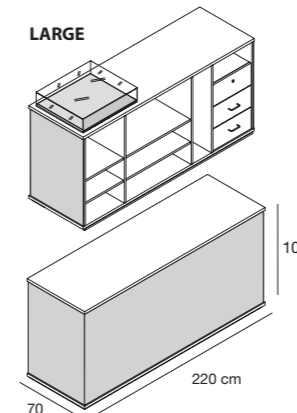


BANCHI CASSA
CASH COUNTERS

SMALL



LARGE



3TC/L-N
teca vetro con base in nobilitato
lucido - opaco
glass case with base in
glossy - matt chipboard

3TC/EP
teca vetro con base
rivestita in ecopelle opaca
glass case with base covered
with synthetic matt leather

3TC/EPL
teca vetro con base
rivestita in ecopelle lucida
glass case with base covered
with synthetic glossy leather

3TC/ST
teca vetro con base
in laminato di Vera Pietra
glass case with base
in Real Stone veneer

small 3BC2/N - large 3BC3/N
banco cassa small. Struttura interna, frontale, laterali,
top e fondo in nobilitato opaco
small cash counter. Inner structure, front, laterals, top
and bottom in matt chipboard
small L162 x P70 x H102 cm
large L220 x P70 x H102 cm

small 3BC2/L - large 3BC3/L
banco cassa small. Struttura interna in nobilitato opaco.
Top, fondo, frontale e laterali in nobilitato lucido
small cash counter. Inner structure in matt chipboard.
Top, bottom, frontal and laterals in glossy chipboard
small L162 x P70 x H102 cm
large L220 x P70 x H102 cm

small 3BC2/NL - large 3BC3/NL
banco cassa small. Struttura interna, top e fondo in
nobilitato opaco. Frontale e laterali in nobilitato lucido
small cash counter. Inner structure, top and bottom in
matt chipboard. Frontal and laterals in glossy chipboard
small L162 x P70 x H102 cm
large L220 x P70 x H102 cm

small 3BC2/EP - large 3BC3/EP
banco cassa small. Struttura interna, top e fondo in nobilitato opaco.
Frontale e laterali rivestiti in ecopelle opaca
small cash counter. Inner structure, top and bottom in matt
chipboard. Frontal and laterals covered with synthetic matt leather
small L162 x P70 x H102 cm
large L220 x P70 x H102 cm

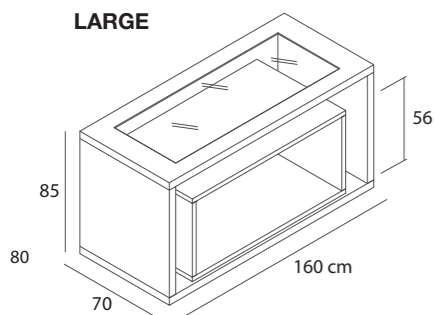
small 3BC2/EPL - large 3BC3/EPL
banco cassa small. Struttura interna, top e fondo in nobilitato opaco.
Frontale e laterali rivestiti in ecopelle lucida
small cash counter. Inner structure, top and bottom in matt
chipboard. Frontal and laterals covered with synthetic glossy leather
small L162 x P70 x H102 cm
large L220 x P70 x H102 cm

small 3BC2/ST - large 3BC3/ST
banco cassa small. Struttura interna, top e fondo in nobilitato
opaco. Frontale e laterali in laminato di Vera Pietra
small cash counter. Inner structure, top and bottom in matt
chipboard. Frontal and laterals in Real Stone veneer.
small L162 x P70 x H102 cm
large L220 x P70 x H102 cm

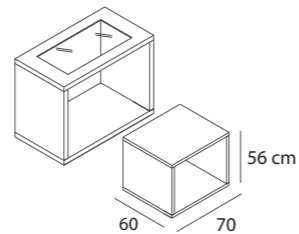
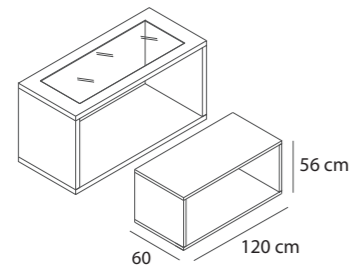
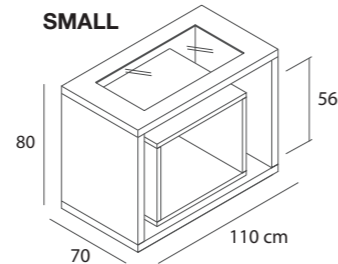


**TAVOLI
TABLES**

LARGE



SMALL



3TAVL/N
tavolo large, in nobilitato opaco, con vetro ad incastro
large table, in matt chipboard, with set glass
L160 x P70 x H80 cm

vano estraibile
in nobilitato opaco
removable compartment
in matt chipboard
L120 x P60 x H56 cm

3TAVL/L
tavolo large, in nobilitato lucido, con vetro ad incastro
large table, in glossy chipboard, with set glass
L160 x P70 x H80 cm

vano estraibile
in nobilitato lucido
removable compartment
in glossy chipboard
L120 x P60 x H56 cm

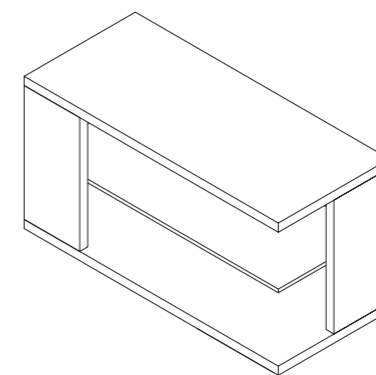
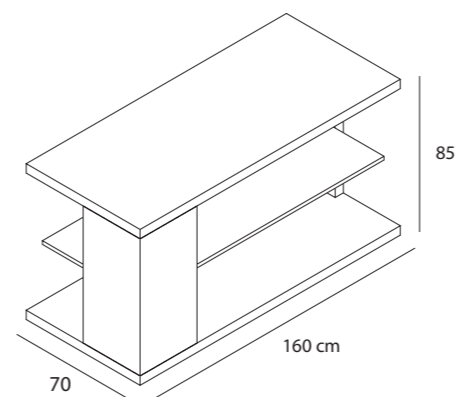
3TAVS/N
tavolo small, in nobilitato opaco, con vetro ad incastro
large table, in matt chipboard, with set glass
L110 x P70 x H80 cm

vano estraibile
in nobilitato opaco
removable compartment
in matt chipboard
L70 x P60 x H56 cm

3TAVS/L
tavolo small, in nobilitato lucido, con vetro ad incastro
large table, in glossy chipboard, with set glass
L110 x P70 x H80 cm

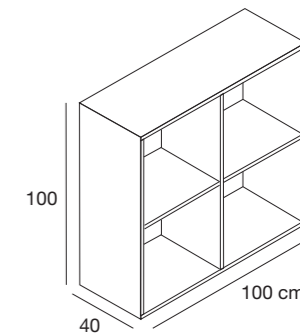
vano estraibile
in nobilitato lucido
removable compartment
in glossy chipboard
L70 x P60 x H56 cm

**TAVOLI
TABLES**



3TA/L-N
tavolo in nobilitato lucido - opaco
table in glossy - matt chipboard
L160 x P70 x H85 cm

**MODULO RETRO CASSA
BACK-CASH MODULE**

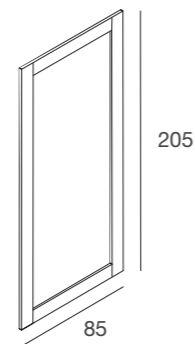
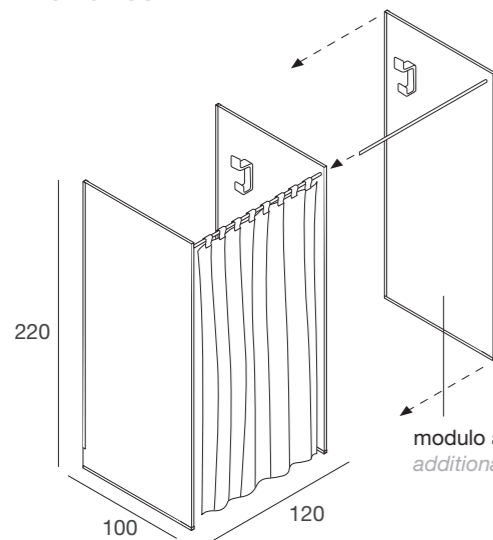


3TA/L-N
modulo retro cassa
in nobilitato lucido - opaco
back counter unit
in glossy - matt chipboard
L160 x P70 x H85 cm





CAMERINO
CHANGING ROOM



3MRR/L-N
specchio, cornice in nobilitato lucido - opaco
mirror, frame in glossy - matt chipboard
L85 x H205 cm

3MRR/EP
specchio, cornice rivestita in ecopelle opaca
mirror, frame covered with synthetic matt leather
L85 x H205 cm

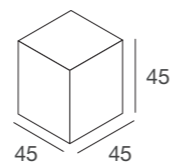
3MRR/EPL
specchio, cornice rivestita in ecopelle lucida
mirror, frame covered with synthetic glossy leather
L85 x H205 cm

3CAM1/L-N
camerino, coppia pannelli in nobilitato lucido - opaco completo di profili in metallo per fissaggio a parete e a pavimento
changing room, pair of panels in glossy - matt chipboard, complete with wall and floor fixing
L100 x H220 cm

3CAM2/L-N
modulo aggiuntivo per camerino comprendente un pannello in nobilitato lucido - opaco, completo di profili in metallo per fissaggio a parete e a pavimento.
additional panel for changing room in glossy - matt chipboard, complete with wall and floor fixing.
L120 x H220 cm

3TEV
tenda camerino in tessuto
fabric curtain for changing room
L140 x H200 cm

3GA
gancio appenderia in metallo
metal hanger

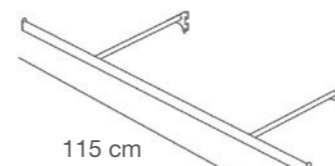


3POU/L-N
seduta pouf in nobilitato lucido - opaco
pouf in glossy - matt chipboard
L45 x P45 x H45 cm

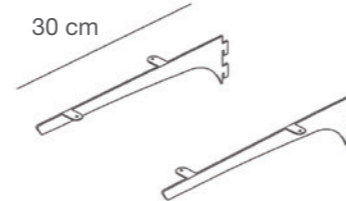
3POU/EP
seduta pouf rivestita in ecopelle opaca
pouf covered with synthetic matt leather
L45 x P45 x H45 cm

3POU/EPL
seduta pouf rivestita in ecopelle lucida
pouf covered with synthetic glossy leather
L45 x P45 x H45 cm

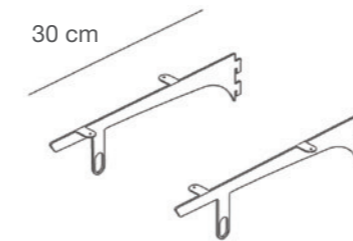
ACCESSORI
ACCESORIES



3BAP
barra appenderia
finitura cromo opaco
crossbar
matt chrome finishing
L.115 cm



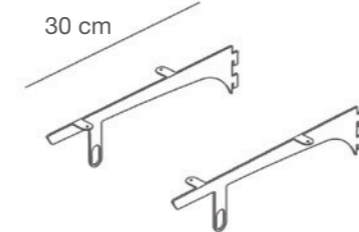
3RM/L
Coppia staffe reggimensola per legno, finitura cromo opaco
Pair of wooden shelf brackets
matt chrome finishing
L.30 cm



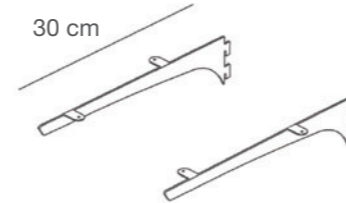
3MEBAP/L
Coppia staffe reggimensola per legno e barra appenderia
finitura cromo opaco
Pair of wooden shelf brackets with hanging bar hook
matt chrome finishing
L.30 cm



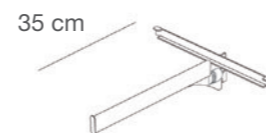
3RMM/L
Staffa singola per mensola media e piccola in legno, finitura cromo opaco, con antisbandieramento
Single holder for wooden shelf, matt chrome finishing, with anti-swing system
L.20 cm



3MEBAP/V
Coppia staffe reggimensola per vetro e barra appenderia finitura cromo opaco
Pair of glass shelf brackets with hanging bar hook
matt chrome finishing
L.30 cm

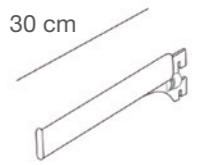


3ME/V
Coppia staffe reggimensola per vetro finitura cromo opaco
Pair of glass shelf brackets
matt chrome finishing
L.30 cm



3RMM/V
Staffa reggimensola a croce per mensola in vetro media (sp. 8mm), con sistema antisbandieramento, finitura cromo opaco
Single glass shelf crossbracket (for medium shelf). For 8mm glass shelf. With anti-swing system, matt chromium finishing
L.40 x P.35 cm

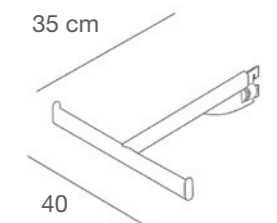
3APF
Appendiera frontale dritta finitura cromo opaco con antisbandieramento
Straight frontal arm
matt chrome finishing with anti-swing system
L.30 cm



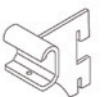
3APFZ
Appendiera frontale inclinata finitura cromo opaco con antisbandieramento
Tilted frontal arm
matt chrome finishing with anti-swing system
L.38 cm



3BAP2
Barra appenderia piccola finitura cromo opaco con antisbandieramento
Small crossbar
matt chrome finishing with anti-swing system
L.40 x P.35 cm



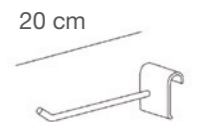
3RT
Supporto reggitubo per tubo ovale 30x15 mm finitura cromo opaco
Holder for oval tube 30x15 mm
matt chrome finishing



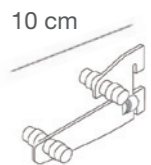
3TUB
Tubo ovale 30x15 mm, finitura cromo opaco, completo con tappi di chiusura
Oval tube 30x15 mm, matt chrome finishing, complete with end caps
L.120 cm

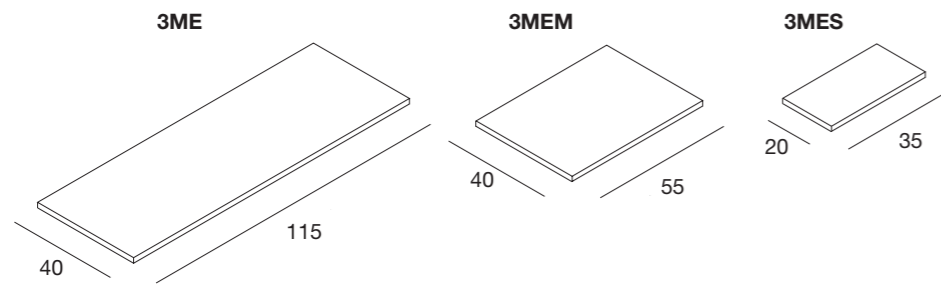


3BLIST
Portablister per tubo ovale 30x15 mm, finitura cromo opaco
Blister holder for oval tube 30x15 mm, matt chrome finishing
L.20 cm



3RMS/V
Staffa reggimensola per mensola in vetro piccola (sp. 8mm) con sistema antisbandieramento, finitura cromo opaco
Single glass shelf crossbracket (for medium shelf). For 8mm glass shelf. With anti-swing system, matt chromium finishing
L.10 cm





3ME/L
mensola in nobilitato lucido
shelf in glossy chipboard
L115 x P40 cm – sp 18 mm

3MEM/L
mensola in nobilitato lucido
shelf in glossy chipboard
L55 x P40 cm – sp 18 mm

3MES/L
mensola in nobilitato lucido
shelf in glossy chipboard
L35 x P20 cm – sp 18 mm

3ME/N
mensola in nobilitato opaco
shelf in matt chipboard
L115 x P40 cm – sp 18 mm

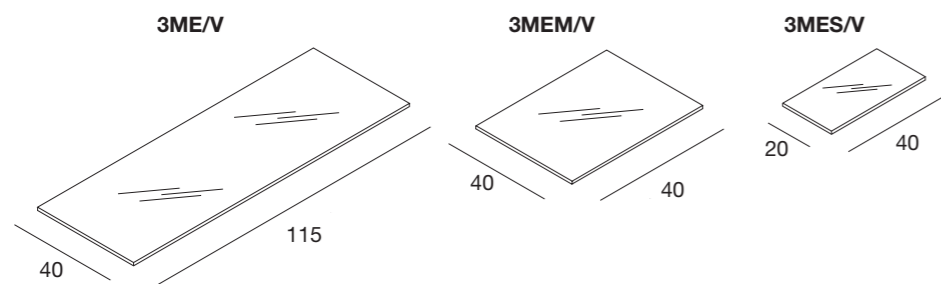
3MEM/N
mensola in nobilitato opaco
shelf in matt chipboard
L55 x P40 cm – sp 18 mm

3MES/N
mensola in nobilitato
shelf in matt chipboard
L35 x P20 cm – sp 18 mm

3ME/ST
mensola in laminato Vera Pietra
shelf in Real Stone veneer
L115 x P40 cm – sp 18 mm

3MEM/ST
mensola in laminato Vera Pietra
shelf in Real Stone veneer
L55 x P40 cm – sp 18 mm

3MES/ST
mensola in laminato Vera Pietra
shelf in Real Stone veneer
L35 x P20 cm – sp 18 mm



3ME/V
mensola in vetro temperato
shelf in tempered glass
L115 x P40 cm – sp 8 mm

3MEM/V
mensola in vetro temperato
shelf in tempered glass
L40 x P40 cm – sp 8 mm

3MES/V
mensola in vetro temperato
shelf in tempered glass
L40 x P20 cm – sp 8 mm

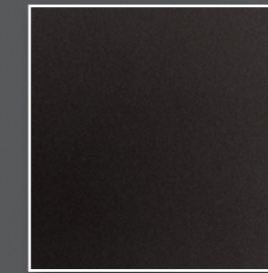
NOBILITATI
CHIPBOARD



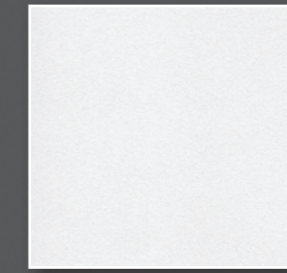
NERO VERNICIATO LUCIDO
GLOSSY BLACK



BIANCO VERNICIATO LUCIDO
GLOSSY WHITE



NERO OPACO
MATT BLACK



BIANCO OPACO
MATT WHITE



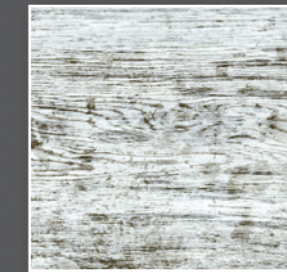
GRIGIO LAVA
LAVA GREY



OLMO FIAMMATO
FLAMED OAK



ROVERE TAVOLATO
PLANKED OAK



VINTAGE
VINTAGE



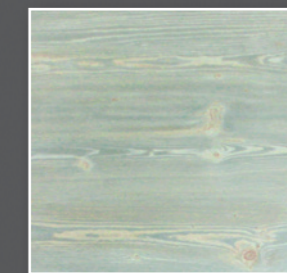
LEGNO MARCIO
ROTTEN WOOD



LAMIERA OSSIDATA
OXIDIZED SHEET



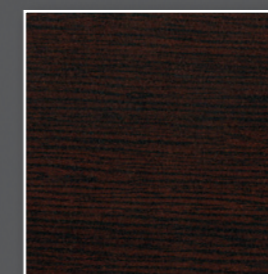
CEMENTO
CONCRETE



ABETE GESSATO
CHALKY FIR



ABETE VISSUTO
VINTAGE FIR



WENGE'
WENGE'



ROVERE AMERICANO
AMERICAN OAK



FRASSINO BIANCO
WHITE ASH



FINITURE E MATERIALI "VERA PIETRA"
FINISHINGS AND MATERIALS "REAL STONE"



ARGENTO



COBRE NEW



AURO



D_BLACK

