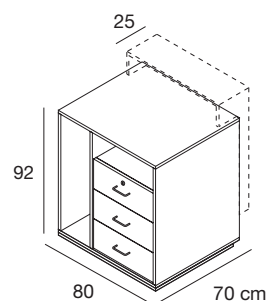
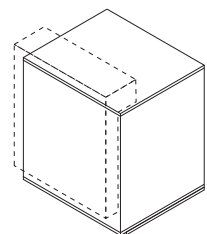




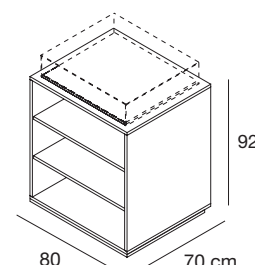
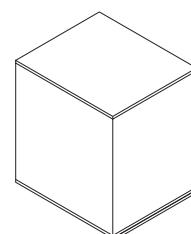
BANCHI CASSA
CASH COUNTERS

4BC1



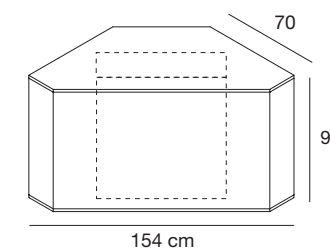
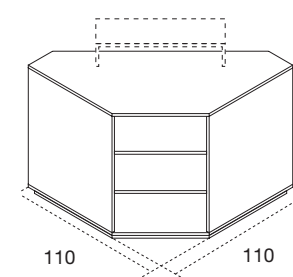
4BC1/L-N
modulo cassettiera
in nobilitato lucido - opaco
chest of drawers unit
in glossy - matt chipboard
L80 x P70 x H90

4BC2



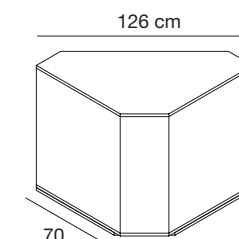
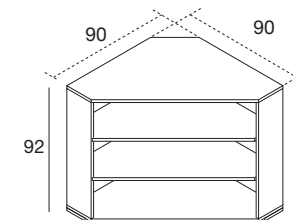
4BC2/L-N
modulo vani
in nobilitato lucido - opaco
compartments unit
in glossy - matt chipboard
L80 x P70 x H90

4BC3



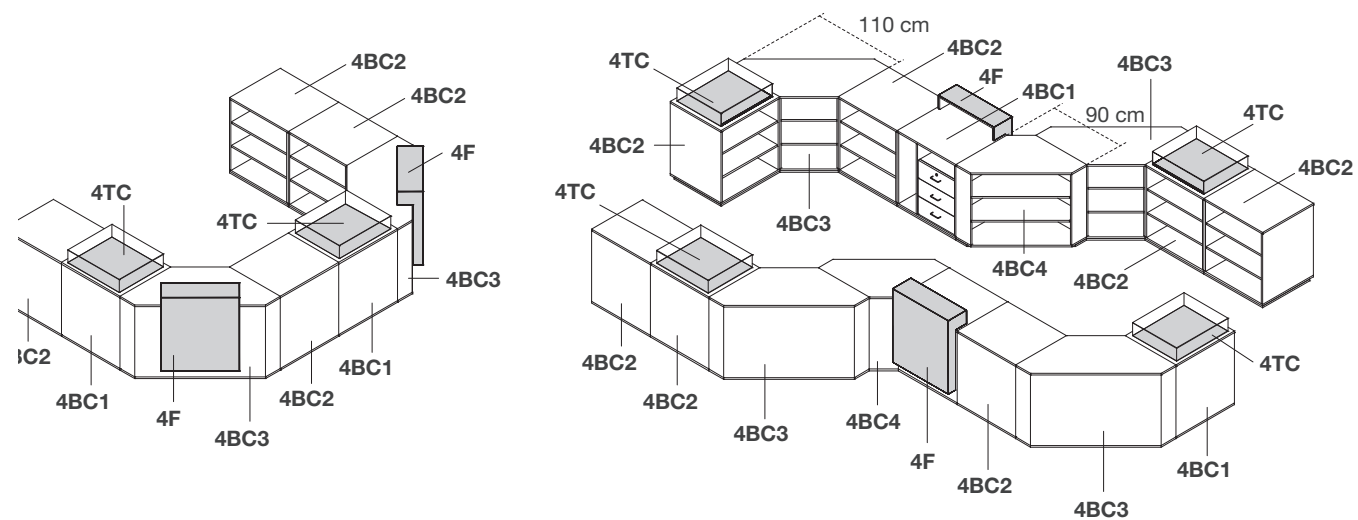
4BC3/L-N
modulo ad angolo
in nobilitato lucido - opaco
corner unit
in glossy - matt chipboard
L110 x P110 x H90 cm

4BC4

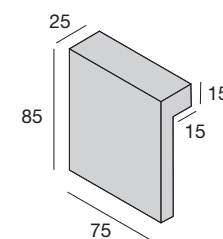


4BC4/L-N
modulo ad angolo
in nobilitato lucido - opaco
corner unit
in glossy - matt chipboard
L90 x P90 x H90 cm

BANCHI CASSA
CASH COUNTERS



4F/N
frontale
in nobilitato opaco
front
in matt chipboard
L75 x P25 x H85 cm



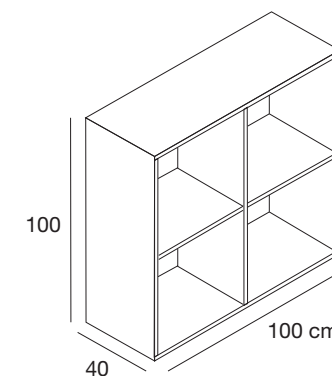
4F/L
frontale
in nobilitato lucido
front
in glossy chipboard
L75 x P25 x H85 cm

4F/EP
frontale
rivestito in ecopelle opaca
front
covered in synthetic matt leather
L75 x P25 x H85 cm

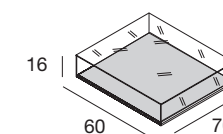
4F/EPL
frontale
rivestito in ecopelle lucida
front
covered in synthetic glossy leather
L75 x P25 x H85 cm

4F/ST
frontale in laminato VeraPietra
front part in Real Stone veneer
L75 x P25 x H85 cm

MODULO RETRO CASSA
BACK COUNTER UNIT



4TC/N
teca vetro
con base in nobilitato opaco
glass showcase
with base in matt chipboard
L70 x P60 x H16 cm



4TC/L
teca vetro
con base in nobilitato lucido
glass showcase
with base in glossy chipboard
L70 x P60 x H16 cm

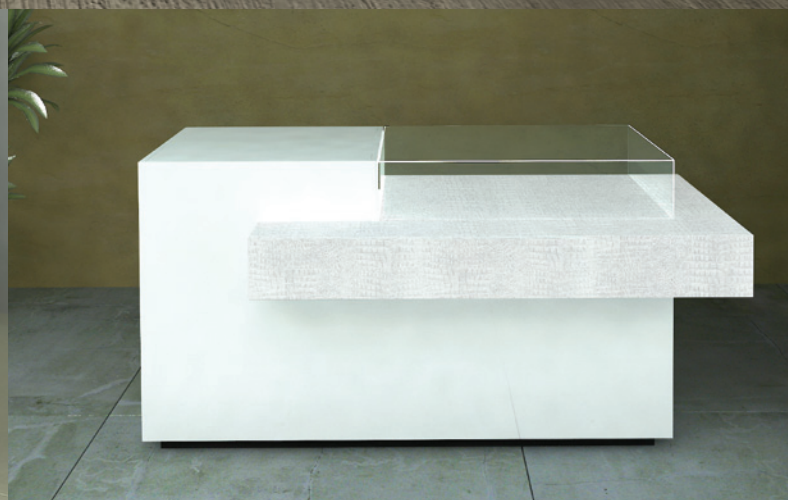
4TC/EP
teca vetro
base rivestita in ecopelle opaca
glass showcase
base covered with synthetic matt leather
L70 x P60 x H16 cm

4TC/EPL
teca vetro
base rivestita in ecopelle lucida
glass showcase
base covered with synthetic glossy leather
L70 x P60 x H16 cm

4TC/ST
teca vetro
base in laminato Vera Pietra
glass showcase
base in Real Stone veneer
L70 x P60 x H16 cm

4RC/N
in nobilitato opaco
in matt chipboard
L100 x P40 x H100 cm

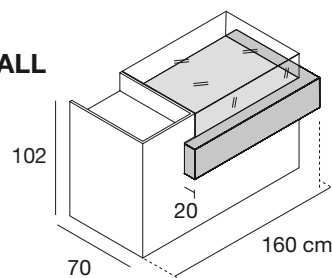
4RC/NL
in nobilitato lucido
(solo esterno)
in glossy chipboard
(only external)
L100 x P40 x H100 cm



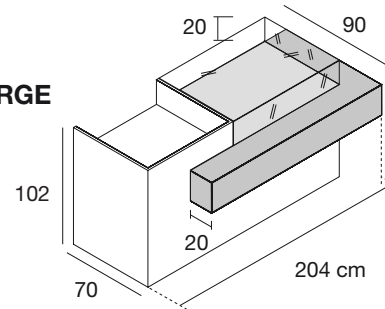
BANCO CASSA CON INSERTO IN VERA PIETRA
CASH COUNTER WITH REAL STONE INSERT

small 4BCS/NST
large 4BCL/NST
banco cassa small - large
struttura in nobilitato opaco
inserto in laminato Vera Pietra
small - large cash counter
structure in matt chipboard
insert in Real Stone finishing
small L160 x P70 x H100 cm
large L 204 x P70 x H100 cm

SMALL



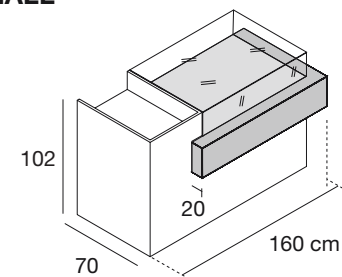
LARGE



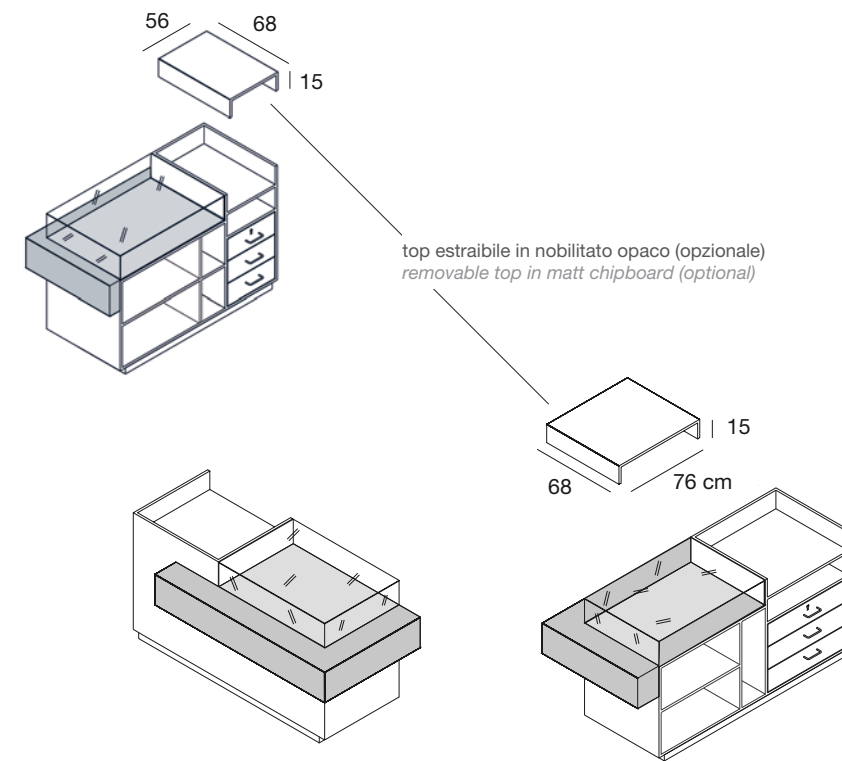
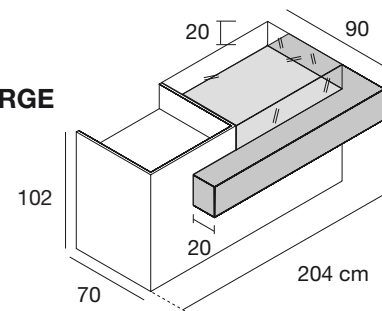
small 4BCS/LST
large 4BCL/LST
banco cassa small - large
struttura in nobilitato lucido
inserto in laminato Vera Pietra
small - large cash counter
structure in glossy chipboard
insert in Real Stone finishing
small L160 x P70 x H100 cm
large L 204 x P70 x H100 cm

BANCHI CASSA
CASH COUNTERS

SMALL



LARGE



top estraibile in nobilitato opaco (opzionale)
removable top in matt chipboard (optional)

small 4BCS/NN
large 4BCL/NN
banco cassa small - large
struttura in nobilitato opaco
inserto in nobilitato opaco
small - large cash counter
structure in matt chipboard
insert in matt chipboard
small L160 x P70 x H100 cm
large L 204 x P70 x H100 cm

small 4BCS/NL
large 4BCL/NL
banco cassa small - large
struttura in nobilitato opaco
inserto in nobilitato lucido
small - large cash counter
structure in matt chipboard
insert in glossy chipboard
small L160 x P70 x H100 cm
large L 204 x P70 x H100 cm

small 4BCS/LN
large 4BCL/LN
banco cassa small - large
struttura in nobilitato lucido
inserto in nobilitato opaco
small - large cash counter
structure in glossy chipboard
insert in matt chipboard
small L160 x P70 x H100 cm
large L 204 x P70 x H100 cm

small 4BCS/LL
large 4BCL/LL
banco cassa small - large
struttura in nobilitato lucido
inserto in nobilitato lucido
small - large cash counter
structure in glossy chipboard
insert in glossy chipboard
small L160 x P70 x H100 cm
large L 204 x P70 x H100 cm

small 4BCS/NEP
large 4BCL/NEP
banco cassa small - large
struttura in nobilitato opaco
inserto rivestito ecopelle opaca
small - large cash counter
structure in matt chipboard, insert
covered with synthetic matt leather
small L160 x P70 x H100 cm
large L204 x P70 x H100 cm

small 4BCS/NEPL
large 4BCL/NEPL
banco cassa small - large
struttura in nobilitato opaco
inserto rivestito ecopelle lucida
small - large cash counter
structure in matt chipboard, insert
covered with synthetic glossy leather
small L160 x P70 x H100 cm
large L204 x P70 x H100 cm

small 4BCS/LEP
large 4BCL/LEP
banco cassa small - large
struttura in nobilitato lucido
inserto rivestito ecopelle opaca
small - large cash counter
structure in glossy chipboard, insert
covered with synthetic matt leather
small L160 x P70 x H100 cm
large L204 x P70 x H100 cm

small 4BCS/LEPL
large 4BCL/LEPL
banco cassa small - large
struttura in nobilitato lucido
inserto rivestito ecopelle lucida
small - large cash counter
structure in glossy chipboard, insert
covered with synthetic glossy leather
small L160 x P70 x H100 cm
large L204 x P70 x H100 cm

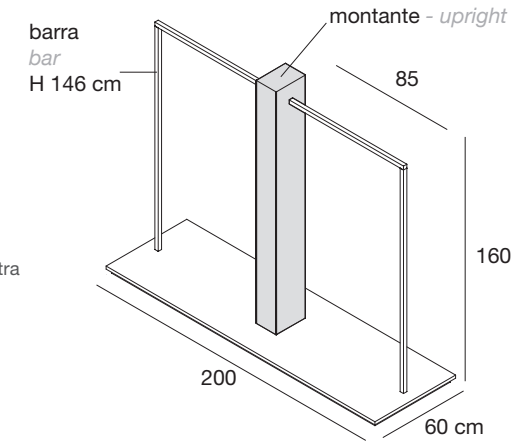




ISOLE AUTOPORTANTI MIDDLE UNITS

4IS/NN - isola singola
base in nobilitato opaco
montante in nobilitato opaco
single island
base in matt chipboard
upright in matt chipboard
L115 x P60 x H160 cm

4IS/NL - isola singola
base in nobilitato opaco
montante in nobilitato lucido
single island
base in matt chipboard
upright in glossy chipboard
L115 x P60 x H160 cm



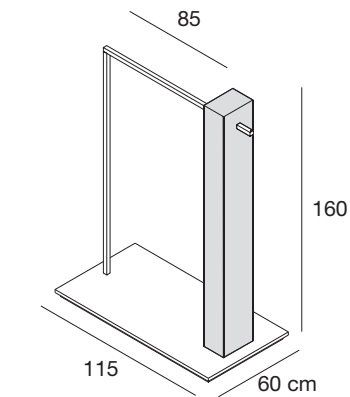
4ISD/NN - isola doppia
base in nobilitato opaco
montante in nobilitato opaco
double island
base in matt chipboard
upright in matt chipboard
L115 x P60 x H160 cm

4ISD/LL - isola doppia
base in nobilitato lucido
montante in nobilitato lucido
double island
base in glossy chipboard
upright in glossy chipboard
L115 x P60 x H160 cm

4IS/LL - isola singola
base in nobilitato lucido
montante in nobilitato lucido
single island
base in glossy chipboard
upright in glossy chipboard
L115 x P60 x H160 cm

4IS/ST - isola singola
base in nobilitato opaco
montante in laminato Vera Pietra
single island
base in matt chipboard
upright in Real Stone veneer
L115 x P60 x H160 cm

4IS/NEP - isola singola
base in nobilitato opaco
montante rivestito in ecopelle opaca
single island
base in matt chipboard
upright covered with synthetic matt leather
L115 x P60 x H160 cm



4ISD/NL - isola doppia
base in nobilitato opaco
montante in nobilitato lucido
double island
base in matt chipboard
upright in glossy chipboard
L115 x P60 x H160 cm

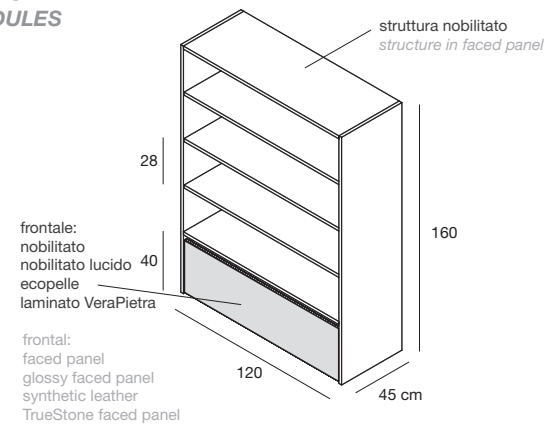
4ISD/NEP - isola doppia
base in nobilitato opaco
montante rivestito in ecopelle opaca
double island
base in matt chipboard
upright covered with synthetic matt leather
L115 x P60 x H160 cm

4IS/NEPL - isola singola
base in nobilitato opaco
montante rivestito in ecopelle lucida
single island
base in matt chipboard
upright covered with synthetic glossy leather
L115 x P60 x H160 cm

4ISD/ST - isola doppia
base in nobilitato opaco
montante in laminato Vera Pietra
double island
base in matt chipboard
upright Real Stone veneer
L115 x P60 x H160 cm

4ISD/NEPL - isola doppia
base in nobilitato opaco
montante rivestito in ecopelle lucida
double island
base in matt chipboard
upright covered with synthetic glossy leather
L115 x P60 x H160 cm

**MODULI
MODULES**



4MR/NN
modulo con ripiani, struttura e frontale cassetto in nobilitato opaco
module with shelves, structure and drawer front in matt chipboard
L120 x P45 x H160 cm

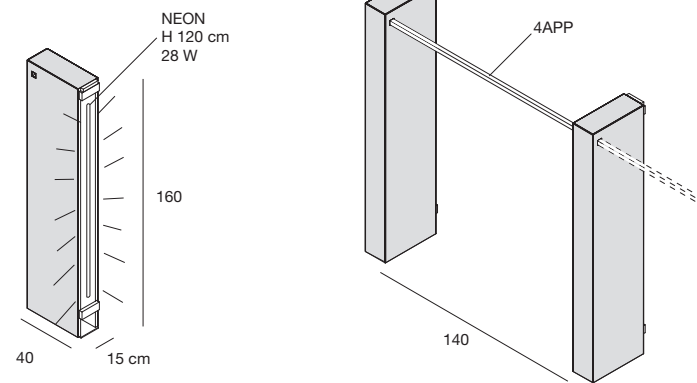
4MR/NL
modulo con ripiani, struttura in nobilitato opaco, frontale cassetto in nobilitato lucido
module with shelves, structure in matt chipboard, drawer front in glossy chipboard
L120 x P45 x H160 cm

4MR/NST
modulo con ripiani, struttura in nobilitato opaco, frontale in laminato Vera Pietra
module with shelves, structure in matt chipboard, drawer front in Real Stone veneer
L120 x P45 x H160 cm

4MR/NEP
modulo con ripiani, struttura in nobilitato opaco, frontale cassetto rivestito in ecopelle opaca
module with shelves, structure in matt chipboard, drawer front covered with synthetic matt leather
L120 x P45 x H160 cm

4MR/NEPL
modulo con ripiani, struttura in nobilitato opaco, frontale cassetto rivestito in ecopelle lucida
module with shelves, structure in matt chipboard, drawer front covered with synthetic glossy leather
L120 x P45 x H160 cm

**MONTANTI
UPRIGHTS**



4M/N
montante retroilluminato in nobilitato opaco
back lighted upright in matt chipboard
L15 x P40 x H160 cm

4M/L
montante retroilluminato in nobilitato lucido
back lighted upright in glossy chipboard
L15 x P40 x H160 cm

4M/ST
montante retroilluminato in laminato Vera Pietra
back lighted upright in Real Stone veneer
L15 x P40 x H160 cm

4M/EP
montante retroilluminato rivestito in ecopelle opaca
back lighted upright covered with synthetic matt leather
L15 x P40 x H160 cm

4M/EPL
montante retroilluminato ecopelle st. coccodrillo lucido
back lighted upright synth. croc printed glossy leather
L15 x P40 x H160 cm

4APP
barra appenderia in acciaio spazzolato
crossbar in brushed stainless steel
L140 cm





MENSOLA
WALL SHELF

4ME/NN
mensola retroilluminata
struttura in nobilitato opaco
frontale in nobilitato opaco
back-lighted shelf
structure in matt chipboard
front in matt chipboard
L120 x P40 x H20 cm

4ME/NL
mensola retroilluminata
struttura in nobilitato opaco
frontale in nobilitato lucido
back-lighted shelf
structure in matt chipboard
front in glossy chipboard
L120 x P40 x H20 cm

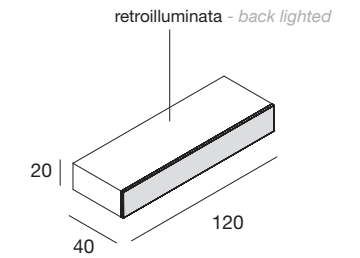
4ME/LL
mensola retroilluminata
struttura in nobilitato lucido
frontale in nobilitato lucido
back-lighted shelf
structure in glossy chipboard
front in glossy chipboard
L120 x P40 x H20 cm

4ME/NEP
mensola retroilluminata
struttura in nobilitato opaco
frontale rivestito in ecopelle opaca
back-lighted shelf
structure in matt chipboard
front covered with synthetic matt
leather
L120 x P40 x H20 cm

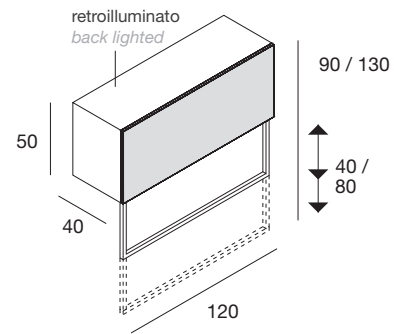
4ME/NEPL
mensola retroilluminata
struttura in nobilitato opaco
frontale rivestito in ecopelle lucida
back-lighted shelf
structure in matt chipboard
front covered with synthetic glossy
leather
L120 x P40 x H20 cm

4ME/NST
mensola retroilluminata
struttura in nobilitato opaco
frontale in laminato Vera Pietra
back-lighted shelf
structure in matt chipboard
front in Real Stone veneer
L120 x P40 x H20 cm

4ME/LST
mensola retroilluminata
struttura in nobilitato lucido
frontale in laminato Vera Pietra
back-lighted shelf
structure in glossy chipboard
front in Real Stone veneer
L120 x P40 x H20 cm



BOX CON APPENDERIA
WALL BOX WITH CLOTHES HANGER



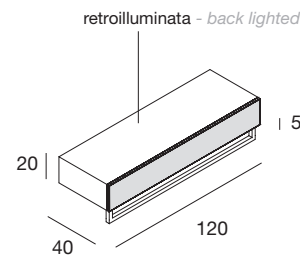
4BAP/NEP
box retroilluminato con appenderia
struttura in nobilitato opaco
frontale rivestito in ecopelle opaca
back-lighted box unit with hanger
structure in matt chipboard
front covered with synthetic matt leather
L120 x P40 x H50 cm

4BAP/NEPL
box retroilluminato con appenderia
struttura in nobilitato opaco
frontale rivestito in ecopelle lucida
back-lighted box unit with hanger
structure in matt chipboard
front covered with synthetic glossy
leather
L120 x P40 x H50 cm

4BAP/NST
box retroilluminato con appenderia
struttura in nobilitato opaco
frontale in laminato Vera Pietra
back-lighted box unit with hanger
structure in matt chipboard
front in Real Stone veneer
L120 x P40 x H50 cm

4BAP/LST
box retroilluminato con appenderia
struttura in nobilitato lucido
frontale in laminato Vera Pietra
back-lighted box unit with hanger
structure in glossy chipboard
front in Real Stone veneer
L120 x P40 x H50 cm

MENSOLA CON APPENDERIA
WALL SHELF WITH CLOTHES HANGER



4MEA/NEP
mensola retroilluminata con appenderia
struttura in nobilitato opaco
frontale rivestito in ecopelle opaca
back-lighted shelf with hanger
structure in matt chipboard
front covered with synthetic matt leather
L120 x P40 x H20 cm

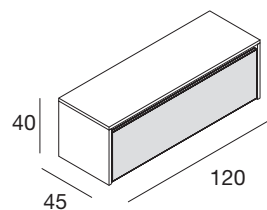
4MEA/NEPL
mensola retroilluminata con appenderia
struttura in nobilitato opaco
frontale rivestito in ecopelle lucida
back-lighted shelf with hanger
structure in matt chipboard
front covered with synthetic glossy
leather
L120 x P40 x H20 cm

4MEA/NST
mensola retroilluminata con appenderia
struttura in nobilitato opaco
frontale in laminato Vera Pietra
back-lighted shelf with hanger
structure in matt chipboard
front in Real Stone veneer
L120 x P40 x H20 cm

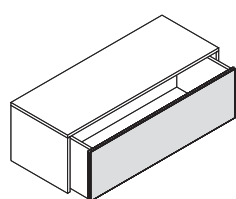
4MEA/LST
mensola retroilluminata con appenderia
struttura in nobilitato lucido
frontale in laminato Vera Pietra
back-lighted shelf with hanger
structure in glossy chipboard
front in Real Stone veneer
L120 x P40 x H20 cm



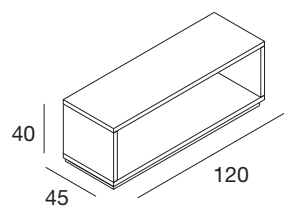
CASSETTIERE - PEDANE
CHEST OF DRAWERS - PLATFORMS



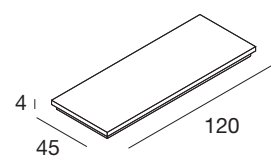
4CA/NN
cassettiera
struttura in nobilitato opaco
frontale in nobilitato opaco
chest of drawer
structure in matt chipboard
front in matt chipboard
L120 x P45 x H40 cm



4CA/NL
cassettiera
struttura in nobilitato opaco
frontale in nobilitato lucido
chest of drawer
structure in matt chipboard
front in glossy chipboard
L120 x P45 x H40 cm



4A/N
anello
con struttura in nobilitato opaco
display ring
with structure in matt chipboard
L120 x P45 x H40 cm



4PED/N
pedana
in nobilitato opaco
rialzata con zoccolo
platform
in matt chipboard
raised whit baseboard
L120 x P45 x H40 cm

4CA/NEP
cassettiera
struttura in nobilitato opaco
frontale rivestito ecopelle opaca
chest of drawer
structure in matt chipboard
front covered with synthetic
matt leather
L120 x P45 x H40 cm

4CA/NEPL
cassettiera
struttura in nobilitato opaco
frontale rivestito ecopelle lucida
chest of drawer
structure in matt chipboard
front covered with synthetic
glossy leather
L120 x P45 x H40 cm

4A/L
anello
con struttura in nobilitato lucido
display ring
with structure in glossy chipboard
L120 x P45 x H40 cm

4PED/L
pedana
in nobilitato lucido
rialzata con zoccolo
platform
in glossy chipboard
raised whit baseboard
L120 x P45 x H40 cm

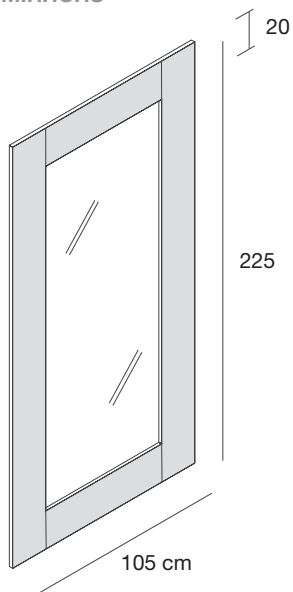
4CA/LEP
cassettiera
struttura in nobilitato lucido
frontale rivestito ecopelle opaca
chest of drawer
structure in glossy chipboard
front covered with synthetic
matt leather
L120 x P45 x H40 cm

4CA/LEPL
cassettiera
struttura in nobilitato lucido
frontale rivestito ecopelle lucida
chest of drawer
structure in glossy chipboard
front covered with synthetic
glossy leather
L120 x P45 x H40 cm

4CA/LST
cassettiera
struttura in nobilitato opaco
frontale in laminato Vera Pietra
chest of drawer
structure in matt chipboard
front in Real Stone veneer
L120 x P45 x H40 cm

4CA/LST
cassettiera
struttura in nobilitato lucido
frontale in laminato Vera Pietra
chest of drawer
structure in glossy chipboard
front in Real Stone veneer
L120 x P45 x H40 cm

SPECCHI
MIRRORS



4MIR/N
specchio, cornice in nobilitato opaco
mirror, frame in matt chipboard
L105 x H225 cm

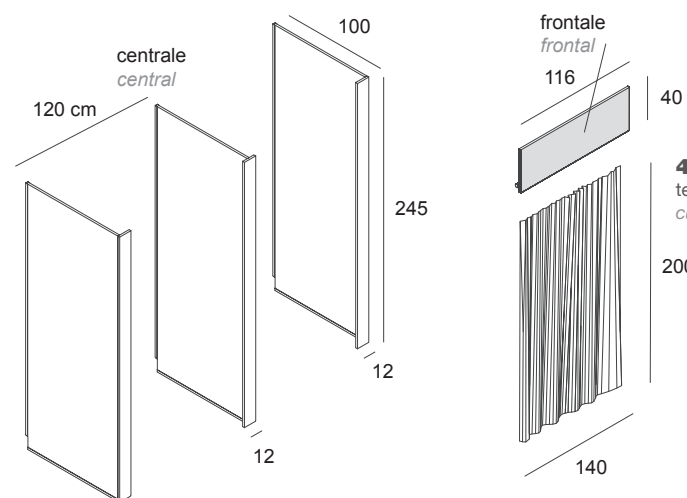
4MIR/L
specchio, cornice in nobilitato lucido
mirror, frame in glossy chipboard
L105 x H225 cm

4MIR/EP
specchio, cornice rivestita in ecopelle opaca
mirror, frame covered with synthetic matt
leather
L105 x H225 cm

4MIR/EPL
specchio, cornice rivestita in ecopelle lucida
mirror, frame covered with synthetic glossy
leather
L105 x H225 cm



CAMERINO
CHANGING ROOM



4CAM1/L-N
coppia spallette laterali camerino
in nobilitato lucido - opaco
side panels for changing room
in glossy - matt chipboard
L12 x P100 x H245 cm

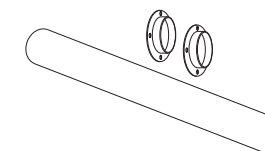
4CAM2/L-N
spalletta centrale camerino
in nobilitato lucido - opaco
central panel for changing room
in glossy - matt chipboard
L12 x P100 x H245 cm

4CAM3/L-N
frontale camerino
in nobilitato lucido - opaco
changing room frontal
in glossy - matt chipboard
L116 x P40 cm

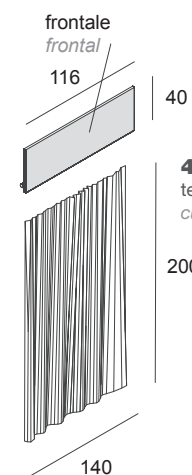
4CAM3/EP
spalletta centrale camerino
rivestito in ecopelle opaca
changing room frontal
covered with synthetic matt leather
L116 x P40 cm

4CAM3/EPL
frontale camerino
rivestito in ecopelle lucida
changing room frontal
covered with synthetic glossy leather
L116 x P40 cm

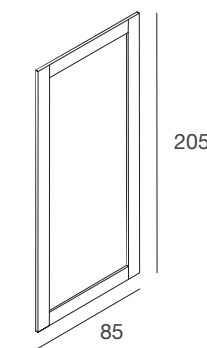
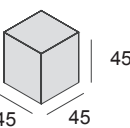
4CANTUB
tubo camerino per tenda, in metallo
changing room metal tube for curtain



4TEV
tenda
curtain



4GA
gancio appenderia
in metallo
metal hanger



4MRR/L-N
specchio, con cornice in nobilitato
lucido - opaco
mirror, with frame in glossy - matt
chipboard
L85 x H205 cm

4MRR/EP
specchio, con cornice rivestita in
ecopelle opaca
mirror, with frame covered with
synthetic matt leather
L85 x H205 cm

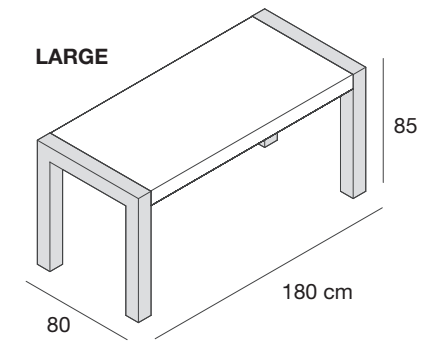
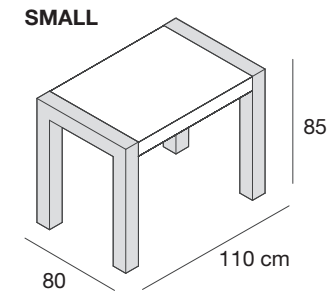
4MRR/EPL
specchio, con cornice rivestita in
ecopelle lucida
mirror, with frame covered with
synthetic glossy leather
L85 x H205 cm

4POU/EP
pouf, rivestito in ecopelle opaca
pouf, covered with synthetic matt
leather
L45 x P45 x H45 cm

4POU/EPL
pouf, rivestito in ecopelle lucida
pouf, covered with synthetic glossy
leather
L45 x P45 x H45 cm



**TAVOLI
TABLES**



4TAS/NEP
tavolo small
piano in nobilitato opaco
gambe rivestite in ecopelle opaca
small table
surface in matt chipboard
legs covered with synthetic matt leather
L110 x P80 x H85 cm

4TAS/NEPL
tavolo small
piano in nobilitato opaco
gambe rivestite in ecopelle lucida
small table
surface in matt chipboard
legs covered with synthetic glossy leather
L110 x P80 x H85 cm

4TAL/NEP
tavolo large
piano in nobilitato opaco
gambe rivestite in ecopelle opaca
large table
surface in matt chipboard
legs covered with synthetic matt leather
L180 x P80 x H85 cm

4TAL/NEPL
tavolo large
piano in nobilitato opaco
gambe rivestite in ecopelle lucida
large table
surface in matt chipboard
legs covered with synthetic glossy leather
L180 x P80 x H85 cm

4TAS/NEP
tavolo small
piano in nobilitato lucido
gambe rivestite in ecopelle opaca
small table
surface in matt chipboard
legs covered with synthetic matt leather
L110 x P80 x H85 cm

4TAS/NEPL
tavolo small
piano in nobilitato lucido
gambe rivestite in ecopelle lucida
small table
surface in matt chipboard
legs covered with synthetic glossy leather
L110 x P80 x H85 cm

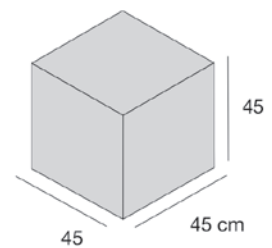
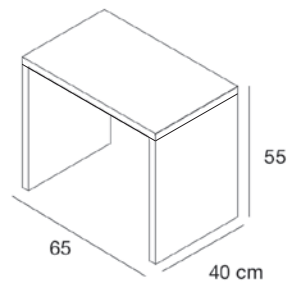
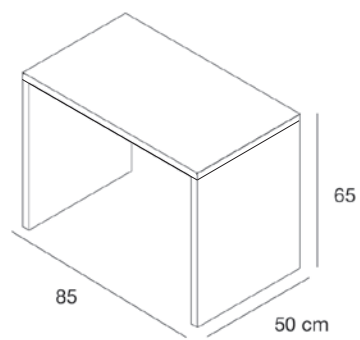
4TAL/NEP
tavolo large
piano in nobilitato lucido
gambe rivestite in ecopelle opaca
large table
surface in matt chipboard
legs covered with synthetic matt leather
L180 x P80 x H85 cm

4TAL/NEPL
tavolo large
piano in nobilitato lucido
gambe rivestite in ecopelle lucida
large table
surface in matt chipboard
legs covered with synthetic glossy leather
L180 x P80 x H85 cm





TAVOLI - POUF
TABLES - POUF



4POU/EP
pouf, rivestito in ecopelle opaca
pouf, covered with synthetic matt
leather
L45 x P45 x H45 cm

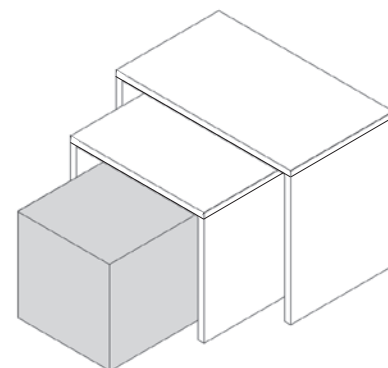
4POU/EPL
pouf, rivestito in ecopelle lucida
pouf, covered with synthetic glossy
leather
L45 x P45 x H45 cm

4TA1/N
tavolo
nobilitato opaco
table
matt chipboard
L85 x P50 x H65 cm

4TA1/L
tavolo
nobilitato lucido
table
glossy chipboard
L85 x P50 x H65 cm

4TA2/N
tavolo
nobilitato opaco
table
matt chipboard
L65 x P40 x H55 cm

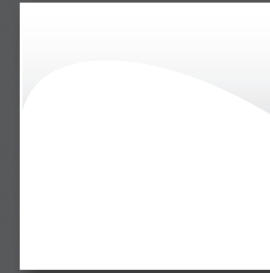
4TA1/L
tavolo
nobilitato lucido
table
glossy chipboard
L65 x P40 x H55 cm



NOBILITATI
CHIPBOARD



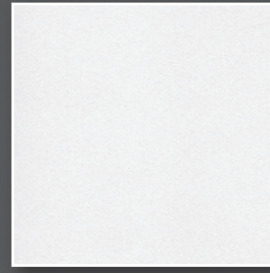
NERO VERNICIATO LUCIDO
GLOSSY BLACK



BIANCO VERNICIATO LUCIDO
GLOSSY WHITE



NERO OPACO
MATT BLACK



BIANCO OPACO
MATT WHITE



GRIGIO LAVA
LAVA GREY



OLMO FIAMMATO
FLAMED OAK



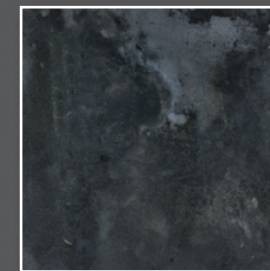
ROVERE TAVOLATO
PLANKED OAK



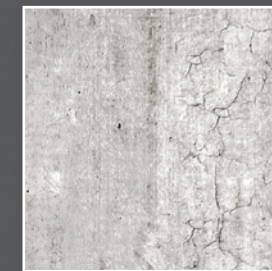
VINTAGE
VINTAGE



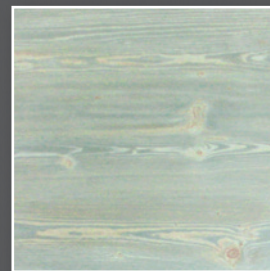
LEGNO MARCIO
ROTTEN WOOD



LAMIERA OSSIDATA
OXIDIZED SHEET



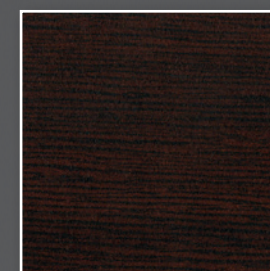
CEMENTO
CONCRETE



ABETE GESSATO
CHALKY FIR



ABETE VISSUTO
VINTAGE FIR



WENGE'
WENGE'



ROVERE AMERICANO
AMERICAN OAK



FRASSINO BIANCO
WHITE ASH

FINITURE E MATERIALI "VERA PIETRA"
FINISHINGS AND MATERIALS "REAL STONE"



ARGENTO



COBRE NEW



AURO



D_BLACK

